



**DSU III AR**  
**Data Service Unit**

**USER MANUAL**

61202.011L1-1B  
July 1995

**Trademark:**

Hayes is a registered trademark of Hayes Microcomputer Products, Inc.



901 Explorer Boulevard  
P.O. Box 140000  
Huntsville, AL 35814-4000  
Phone: (205) 963-8000

© 1997 ADTRAN, Inc.  
All rights reserved.  
Printed in USA.

FCC regulations require that the following information be provided in this manual:

1. This equipment complies with Part 68 of the FCC rules. On the bottom of the equipment housing is a label that shows the FCC registration number and Ringer Equivalence Number (REN) for this equipment. If requested, provide this information to the telephone company.
2. If this equipment causes harm to the telephone network, the telephone company may temporarily discontinue service. If possible, advance notification is given, otherwise, notification is given as soon as possible. The telephone company will advise the customer of the right to file a complaint with the FCC.
3. The telephone company may make changes in its facilities, equipment, operations, or procedures that could affect the proper operation of this equipment; advance notification and the opportunity to maintain uninterrupted service is given.
4. If experiencing difficulty with this equipment, please contact ADTRAN for repair and warranty information. The telephone company may require this equipment to be disconnected from the network until the problem is corrected, or it is certain the equipment is not malfunctioning.
5. This unit contains no user serviceable parts.
6. An FCC compliant telephone cord with a modular plug is provided with this equipment. This equipment is designed to be connected to the telephone network or premises wiring using an FCC compatible modular jack, which is Part 68 compliant.
7. The following information may be required when applying to the local telephone company for leased line facilities:

| Service Type                | Digital Facility Interface Code | Service Order Code | Network Jacks |
|-----------------------------|---------------------------------|--------------------|---------------|
| 2.4 kbps Digital Interface  | 04DU5-24                        | 6.0F               | RJ-48S        |
| 4.8 kbps Digital Interface  | 04DU5-48                        | 6.0F               | RJ-48S        |
| 9.6 kbps Digital Interface  | 04DU5-96                        | 6.0F               | RJ-48S        |
| 19.2 kbps Digital Interface | 04DU5-19                        | 6.0F               | RJ-48S        |
| 38.4 kbps Digital Interface | 04DU5-38                        | 6.0F               | RJ-48S        |
| 56 kbps Digital Interface   | 04DU5-56                        | 6.0F               | RJ-48S        |
| 64 kbps Digital Interface   | 04DU5-64                        | 6.0F               | RJ-48S        |

**FEDERAL COMMUNICATIONS COMMISSION  
RADIO FREQUENCY INTERFERENCE STATEMENT**

*This equipment has been tested and found to comply with the limits for a Class A digital device, pursuant to Part 15 of the FCC Rules. These limits are designed to provide reasonable protection against harmful interference when the equipment is operated in a commercial environment. This equipment generates, uses, and can radiate radio frequency energy and, if not installed and used in accordance with the instruction manual, may cause harmful interference to radio frequencies. Operation of this equipment in a residential area is likely to cause harmful interference in which case the user will be required to correct the interference at his own expense.*

*Shielded cables must be used with this unit to ensure compliance with Class A FCC limits.*



*Change or modifications to this unit not expressly approved by the party responsible for compliance could void the user's authority to operate the equipment.*

**CANADIAN EMISSIONS REQUIREMENTS**

This digital apparatus does not exceed the Class A limits for radio noise emissions from digital apparatus as set out in the interference-causing equipment standard entitled "Digital Apparatus," ICES-003 of the Department of Communications.

Cet appareil numérique respecte les limites de bruits radioélectriques applicables aux appareils numériques de Class A prescrites dans la norme sur le matériel brouilleur: "Appareils Numériques," NMB-003 édictée par le ministre des Communications.

## CANADIAN EQUIPMENT LIMITATIONS

Notice: The Canadian Industry and Science Canada label identifies certified equipment. This certification means that the equipment meets certain telecommunications network protective, operational, and safety requirements. The Department does not guarantee the equipment will operate to the user's satisfaction.

Before installing this equipment, users should ensure that it is permissible to be connected to the facilities of the local telecommunications company. The equipment must also be installed using an acceptable method of connection. In some cases, the company's inside wiring associated with a single line individual service may be extended by means of a certified connector assembly (telephone extension cord). The customer should be aware that compliance with the above conditions may not prevent degradation of service in some situations.

Repairs to certified equipment should be made by an authorized Canadian maintenance facility designated by the supplier. Any repairs or alterations made by the user to this equipment, or equipment malfunctions, may give the telecommunications company cause to request the user to disconnect the equipment.

Users should ensure for their own protection that the electrical ground connections of the power utility, telephone lines and internal metallic water pipe system, if present, are connected together. This precaution may be particularly important in rural areas.

Caution: Users should not attempt to make such connections themselves, but should contact the appropriate electric inspection authority, or an electrician, as appropriate.

The Load Number (LN) assigned to each terminal device denotes the percentage of the total load to be connected to a telephone loop which is used by the device, to prevent overloading. The termination on a loop may consist of any combination of devices subject only to the requirement that the total of the Load Numbers of all devices does not exceed 100.



# Table of Contents

## Chapter 1. Introduction

|                                     |   |
|-------------------------------------|---|
| Product Overview .....              | 1 |
| DDS Overview .....                  | 3 |
| 4-Wire Switched 56 Overview .....   | 3 |
| Warranty and Customer Service ..... | 4 |

## Chapter 2. Installation

|  |    |
|--|----|
| Unpack, Inspect, Power Up .....              | 5  |
| Receipt Inspection .....                     | 5  |
| Equipment Provided .....                     | 5  |
| Power Up .....                               | 6  |
| Network Interface Connection .....           | 7  |
| DTE Data Connection/Primary DTE .....        | 8  |
| Secondary Channel Connection .....           | 10 |
| Configuration .....                          | 10 |
| Configuration Methods .....                  | 11 |
| AT Commands .....                            | 11 |
| V.25 bis Commands .....                      | 12 |
| SDLC Option .....                            | 12 |
| Character Format .....                       | 12 |
| Command Structure .....                      | 12 |
| Bi-Sync Option .....                         | 13 |
| Character Format .....                       | 13 |
| Command Structure .....                      | 13 |
| Asynchronous Option .....                    | 13 |
| Character Format .....                       | 13 |
| Command Structure .....                      | 13 |
| Command Descriptions .....                   | 13 |
| Syntax and Possible Responses .....          | 14 |
| CIC (Connect Incoming Call) .....            | 14 |
| CNL (Configuration Local) .....              | 14 |
| CNR (Configuration Remote) .....             | 15 |
| Switched 56 Operation .....                  | 15 |
| CRN (Call Request with Number) .....         | 15 |
| CRS (Call Request Using Stored Number) ..... | 16 |
| DIC (Disregard Incoming Call) .....          | 16 |

|   |    |
|---|----|
| PRN (Program Number) .....                    | 16 |
| RLN (Request List of Numbers) .....           | 17 |
| <b>Chapter 3. Operation</b>                   |    |
| Menu Structure .....                          | 19 |
| LCD Display of the Main Menu .....            | 19 |
| Main Menu .....                               | 20 |
| Status .....                                  | 20 |
| Test .....                                    | 20 |
| Configuration (CONFIG) .....                  | 20 |
| Dial .....                                    | 20 |
| Basic Menu Travel .....                       | 21 |
| Front Panel .....                             | 23 |
| LCD Window .....                              | 23 |
| Enter .....                                   | 23 |
| Numeric Keypad .....                          | 23 |
| Shift .....                                   | 24 |
| Quick .....                                   | 24 |
| Cancel .....                                  | 24 |
| Up and Down Arrows .....                      | 24 |
| LED Description .....                         | 24 |
| Rear Panel .....                              | 25 |
| <b>Chapter 4. Configuration Overview</b>      |    |
| Local and Remote Configuration .....          | 27 |
| <b>Chapter 5. Configuring Network Options</b> |    |
| Network Options .....                         | 31 |
| Loop Rate .....                               | 31 |
| Network Address .....                         | 34 |
| Remote Configuration .....                    | 35 |
| Network Type .....                            | 36 |
| Clock Source .....                            | 37 |
| <b>Chapter 6. Configuring DTE Options</b>     |    |
| DTE Options .....                             | 39 |
| DTE Rate .....                                | 39 |
| Connector Type .....                          | 43 |
| Data Format .....                             | 44 |
| DTE Command Option .....                      | 45 |

---

|   |    |
|---|----|
| Transmit Clock .....  | 46 |
| CS Options .....  | 48 |
| Anti-Stream .....   | 50 |
| CD Options .....  | 51 |
| TR Options .....  | 52 |
| SR Options .....  | 54 |
| Secondary Rate .....  | 55 |
| <br>  |    |
| <b>Chapter 7. Configuring Test Options</b>                                |    |
| Test Options .....  | 57 |
| Test Timeout .....  | 57 |
| Remote Digital Loopback .....   | 58 |
| EIA Local Loopback .....  | 59 |
| EIA Remote Loopback .....   | 60 |
| <br>  |    |
| <b>Chapter 8. Configuring Dial Options</b>                                |    |
| Dial Options .....  | 61 |
| Phone Number .....  | 61 |
| Auto Answer .....   | 62 |
| <br>  |    |
| <b>Chapter 9. Manual Command</b>  |    |
| Manual Command .....  | 63 |
| <br>  |    |
| <b>Chapter 10. Dial Selection</b>   |    |
| Dial Options .....  | 67 |
| <br>  |    |
| <b>Chapter 11. Testing and Troubleshooting</b>                            |    |
| Test Overview .....   | 69 |
| Initiating a Test .....   | 70 |
| Test Status Display .....   | 71 |
| Exiting a Test .....  | 71 |
| Troubleshooting .....   | 73 |
| Messages from the DSU/CSU .....   | 73 |
| Troubleshooting New Installs .....  | 75 |
| Test Sequence for Troubleshooting New Installs or Existing Circuits ..... | 76 |
| Local Unit Diagnostics .....  | 77 |
| DTE & Loop (LL) .....   | 79 |
| Test Description .....  | 79 |
| Test Purpose .....  | 79 |

|                                     |    |
|-------------------------------------|----|
| Initiating .....                    | 80 |
| Interpreting Test Results .....     | 80 |
| Loop Only (RT) .....                | 81 |
| Test Purpose .....                  | 81 |
| Initiating .....                    | 81 |
| Interpreting Test Results .....     | 82 |
| DTE Only .....                      | 83 |
| Test Purpose .....                  | 83 |
| Initiating .....                    | 84 |
| Interpreting Test Results .....     | 84 |
| DTE With Test Pattern .....         | 85 |
| Test Purpose .....                  | 85 |
| Initiating .....                    | 85 |
| Interpreting Test Results .....     | 86 |
| Test Pattern .....                  | 87 |
| Test Purpose .....                  | 87 |
| Initiating .....                    | 87 |
| Interpreting Test Results .....     | 88 |
| Self Test .....                     | 89 |
| Test Purpose .....                  | 89 |
| Initiating .....                    | 89 |
| Interpreting Test Results .....     | 89 |
| Remote Unit Diagnostics .....       | 90 |
| Test Purpose .....                  | 90 |
| Initiating .....                    | 91 |
| Test Results .....                  | 91 |
| Interpreting Test Results .....     | 91 |
| <br>                                |    |
| <b>Chapter 12. Status Selection</b> |    |
| Status Display .....                | 93 |
| DSU Operational Status .....        | 94 |
| Data Mode .....                     | 94 |
| Unit in Test .....                  | 94 |
| DTE Command Mode .....              | 94 |
| Idle .....                          | 94 |
| Incoming Call .....                 | 94 |
| Dialing .....                       | 94 |
| DDS Network Status .....            | 94 |
| Loop is Normal .....                | 94 |

---

|   |            |
|---|------------|
| Open Loop .....   | 94         |
| No Rx Signal .....  | 94         |
| Check Telco Line .....  | 95         |
| OOS/OOF from Net .....  | 95         |
| No Frame Sync .....   | 95         |
| Test from Telco .....   | 95         |
| Rate Adapting .....   | 95         |
| Answering Call .....  | 95         |
| No Wink from CO .....   | 95         |
| Call Disconnect .....   | 95         |
| Network Rate .....  | 96         |
| DTE Rate/Mode .....   | 96         |
| DTE Control Leads and Status .....                              | 96         |
| <b>Appendix A. AT Commands .....</b>                            | <b>97</b>  |
| <b>Appendix B. Default Configuration Profiles</b>               |            |
| Default Configuration Profiles .....                            | 99         |
| Profile 1 .....   | 99         |
| Profile 2 .....   | 99         |
| Profile 3 .....   | 99         |
| Profile 4 .....   | 99         |
| <b>Appendix C. DSU to Modem Interconnect</b>                    |            |
| Modem Tail Circuit Application .....                            | 103        |
| <b>Appendix D. EIA-232 Connector</b>                            |            |
| 56 and 64 kbps Application .....                                | 105        |
| <b>Appendix E. Specifications</b>                               |            |
| Specifications and Features .....                               | 107        |
| <b>Glossary .....</b>   | <b>111</b> |
| <b>Index .....</b>  | <b>119</b> |
| <b>List of Tables</b>   |            |
| Table 2-A Pin Assignments for Telco Connector .....             | 7          |
| Table 2-B Pin Assignments for Primary EIA-232 Connector .....   | 8          |
| Table 2-C Pin Assignments for Primary V.35 Connector .....      | 9          |
| Table 2-D Pin Assignments for Auxiliary EIA-232 Connector ..... | 10         |

---

|            |   |     |
|------------|---|-----|
| Table 2-E  | Configuration Methods .....                               | 11  |
| Table 5-A  | Loop Rate Commands .....                                  | 33  |
| Table 5-B  | Network Address Command .....                             | 34  |
| Table 5-C  | Remote Configuration Commands .....                       | 35  |
| Table 5-D  | Network Type Commands .....                               | 36  |
| Table 5-E  | Clock Source Commands .....                               | 37  |
| Table 6-A  | DTE Rate AT Commands .....                                | 40  |
| Table 6-B  | Scrambler On/Off AT Commands .....                        | 41  |
| Table 6-C  | Data Format Commands .....                                | 44  |
| Table 6-D  | Transmit Clock AT Commands .....                          | 46  |
| Table 6-E  | CS Options AT Commands .....                              | 49  |
| Table 6-F  | Short and Long Delays at Different Operating Speeds ..... | 49  |
| Table 6-G  | Anti-Stream AT Commands .....                             | 51  |
| Table 6-H  | CD Options AT Commands .....                              | 52  |
| Table 6-I  | TR Options AT Commands .....                              | 53  |
| Table 6-J  | SR Options AT Commands .....                              | 54  |
| Table 6-K  | Secondary Rate AT Commands .....                          | 56  |
| Table 6-L  | DSU III AR Network Throughput .....                       | 56  |
| Table 7-A  | Test Timeout AT Commands .....                            | 58  |
| Table 7-B  | Remote Digital Loopback AT Commands .....                 | 58  |
| Table 7-C  | EIA Local Loopback AT Commands .....                      | 59  |
| Table 7-D  | EIA Remote Loopback AT Commands .....                     | 60  |
| Table 8-A  | AT Command for Storing Phone Numbers .....                | 62  |
| Table 8-B  | AT Commands for Auto Answer .....                         | 62  |
| Table 9-A  | Manual Commands .....                                     | 65  |
| Table 11-A | Messages from the DSU/CSU .....                           | 74  |
| Table 11-B | Troubleshooting New Installs .....                        | 75  |
| Table 11-C | Test AT Commands .....                                    | 77  |
| Table 11-D | DTE with Test Pattern Commands .....                      | 78  |
| Table 11-E | Remote Tests and AT Commands .....                        | 90  |
| Table A-A  | AT Commands .....   | 97  |
| Table B-A  | Default Configuration Profiles .....                      | 100 |

### List of Figures

|            |  |    |
|------------|--|----|
| Figure 1-1 | Sample Point-to-Point Application for DSU III AR ..... | 2  |
| Figure 3-1 | Example of Basic Menu Travel .....                     | 22 |
| Figure 3-2 | DSU III AR Front View .....                            | 23 |
| Figure 3-3 | DSU III AR Rear View .....                             | 25 |
| Figure 4-1 | Complete Configuration Menu .....                      | 29 |
| Figure 5-1 | Setting Loop Rate Options .....                        | 32 |

---

|              |  |    |
|--------------|--|----|
| Figure 5-2   | Setting the Network Address .....                                    | 34 |
| Figure 5-3   | Enabling/Disabling Remote Configuration.....                         | 35 |
| Figure 5-4   | Setting Network Type Options .....                                   | 36 |
| Figure 5-5   | Setting the Clock Source .....                                       | 37 |
| Figure 6-1   | DTE Rates for 56 or 64 kbps Loop Rate with No Secondary Channel .... | 40 |
| Figure 6-2   | DTE Rates for 56 kbps Secondary Channel and 64 kbps Loop Rates ..... | 41 |
| Figure 6-3   | Selecting the Connector Type .....                                   | 43 |
| Figure 6-4   | Selecting Asynchronous or Synchronous Data Format .....              | 44 |
| Figure 6-5   | Selecting DTE Command Option .....                                   | 45 |
| Figure 6-6   | Transmit Clock Options .....   | 46 |
| Figure 6-7   | Selecting CS Options .....   | 48 |
| Figure 6-8   | Anti-Stream Options.....   | 50 |
| Figure 6-9   | Selecting CD Options .....   | 51 |
| Figure 6-10  | Selecting TR Options .....   | 52 |
| Figure 6-11  | Setting SR Options .....   | 54 |
| Figure 6-12  | Setting the Secondary Rate .....                                     | 55 |
| Figure 7-1   | Setting Test Timeout Option .....                                    | 57 |
| Figure 7-2   | Remote Digital Loopback .....  | 58 |
| Figure 7-3   | EIA Local Loopback Options .....                                     | 59 |
| Figure 7-4   | EIA Remote Loopback Options .....                                    | 60 |
| Figure 8-1   | Editing Stored Phone Numbers .....                                   | 61 |
| Figure 8-2   | Enabling/Disabling the Auto Answer Function .....                    | 62 |
| Figure 9-1   | Manual Command .....   | 63 |
| Figure 10-1  | Dial Options Menu .....  | 67 |
| Figure 10-2  | Path to Storing Numbers Option .....                                 | 68 |
| Figure 11-1  | Normal Operation Before Initiating Loopback Test .....               | 69 |
| Figure 11-2  | Initiating a Test .....  | 70 |
| Figure 11-3  | Sample Test Status Displays .....                                    | 71 |
| Figure 11-4  | Complete Test Menu .....   | 72 |
| Figure 11-5  | DTE & Loop Test .....  | 79 |
| Figure 11-6  | Initiating a DTE & Loop Test .....                                   | 80 |
| Figure 11-7  | Loop Only Test.....  | 81 |
| Figure 11-8  | Initiating a Loop Only Test .....                                    | 81 |
| Figure 11-9  | DTE Only Test Diagram .....  | 83 |
| Figure 11-10 | Initiating a DTE Only Test.....                                      | 84 |
| Figure 11-11 | DTE With Test Pattern .....  | 85 |
| Figure 11-12 | Initiating a DTE Test with Test Pattern .....                        | 86 |
| Figure 11-13 | Test Pattern Only .....  | 87 |
| Figure 11-14 | Initiating a Test Using a Test Pattern .....                         | 88 |
| Figure 11-15 | Initiating a Self Test .....   | 89 |

|   |     |
|---|-----|
| Figure 11-16 V.54 RDL with Test Pattern ..... | 90  |
| Figure 11-17 Initiating a Remote Test .....   | 91  |
| Figure 12-1 Example of Status Displays .....  | 93  |
| Figure C-1 DSU to Modem Interconnect .....    | 103 |
| Figure D-1 EIA-232 Connector .....            | 105 |

# Chapter 1

## Introduction

---

### PRODUCT OVERVIEW

The ADTRAN DSU III AR provides a reliable, high speed data connection for customer Data Terminal Equipment (DTE) through Digital Data Service (DDS) lines, DDS secondary channel services (DDSII), or 4-wire Switched 56 network (SW56) lines. The DSU III AR supports both synchronous and asynchronous data communication over the DDS or 4-wire Switched 56 networks.

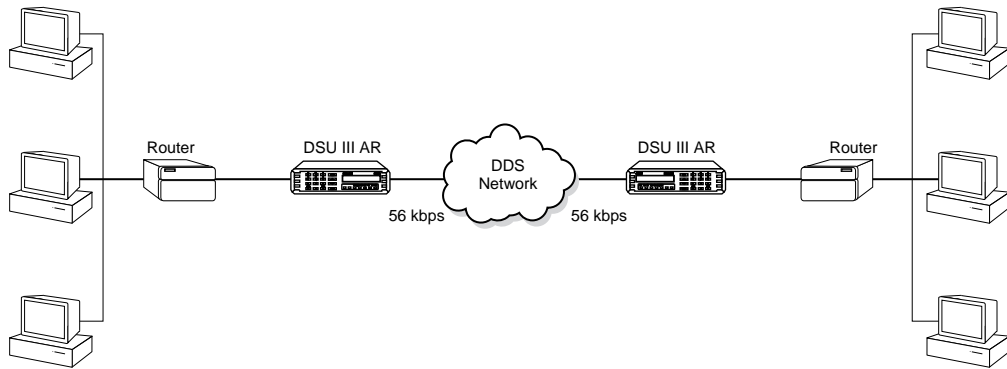
This unit is an all rate DSU/CSU, supporting services from 2.4 to 64 kbps including 19.2 and 38.4 kbps services. The DSU III AR may be used in either point-to-point or multi-point circuits.

The DSU III AR provides both V.35 and EIA-232 electrical and physical DTE interfaces to accommodate a variety of applications. A second EIA-232 interface is provided for use on DDS lines with secondary channel services.

To insure a reliable connection, the unit features an extended receiver capability which permits operation over long loops (3.4 miles or 5.5 km of 26 AWG at 56 kbps).

In addition to DDS, the unit also supports Switched 56 (4-wire) service with dialing accomplished from the front panel. This model is compatible with AT&T Accunet and Sprint SW56 type services.

Figure 1-1 shows a sample point-to-point application for the DSU III AR.



**Figure 1-1**  
*Sample Point-to-Point Application for DSU III AR*

## DDS Overview

Digital Data Service (DDS) is a nationwide service that allows interconnection and transport of data at speeds up to 64 kbps. The local exchange carriers provide the local loop service to DDS customers and may provide data for routing Inter-LATA to an interexchange carrier. In DDS mode, the DSU III AR supports all DDS service rates yielding DTE rates of 2.4, 4.8, 9.6, 19.2, 38.4 (sync or async), 56 and 64 kbps. An additional rate of 57.6 kbps is available in async mode. At the service rates of 56 kbps and 64 kbps, the unit can be configured to run slower DTE rates (async or sync). Secondary channel operation is supported at all service rates up to 56 kbps, providing terminal rates of 75, 150, 300, 600, 1200, and 2400 bps. The secondary rates available depend on the service rate configured.

## 4-Wire Switched 56 Overview

This switched, 4-wire Digital Data Service allows customers to pay for data connection only for the time the unit is active. The regional operating companies provide the 4-wire local loop service to SW56 customers. In SW56 mode the DSU III AR supports DTE rates of 2.4, 4.8, 9.6, 19.2, 38.4 (asynchronous or synchronous) and 56 kbps (synchronous). An additional DTE rate of 57.6 kbps is available in async modes.

## **WARRANTY AND CUSTOMER SERVICE**

ADTRAN will replace or repair this product within five years from the date of shipment if it does not meet its published specifications or fails while in service. For detailed warranty, repair, and return information refer to the ADTRAN Equipment Warranty and Repair and Return Policy Procedure.

Return Material Authorization (RMA) is required prior to returning equipment to ADTRAN.

For service, RMA requests, or further information, contact one of the numbers listed on the inside back cover of this manual.

# Chapter 2

## Installation

---

### UNPACK, INSPECT, POWER UP

#### Receipt Inspection

Carefully inspect the DSU III AR for any shipping damages. If damage is suspected, file a claim immediately with the carrier and contact ADTRAN Customer Service. If possible, keep the original shipping container for use in shipping the DSU III AR for repair or for verification of damage during shipment.

#### Equipment Provided

The following items are included in ADTRAN shipments of the DSU III AR:

- DSU III AR unit
- An 8-position modular to 8-position modular cable
- The user manual

The customer must provide an EIA-232 interface cable with standard 25-pin male D-type connectors (Cannon or Cinch DB-19604-432) or V.35 cable.

## Power Up

Each DSU unit is provided with a captive eight-foot power cord, terminated by a three-prong plug which connects to a grounded 115 VAC power receptacle. A telco connector is also provided for interface to the network.



*Power to the DSU must be provided from a grounded 115 VAC, 60 Hz receptacle.*

---

## NETWORK INTERFACE CONNECTION

The DSU III AR has an eight-position modular jack labeled **TELCO**. The connector is used for connecting to the network when the unit is configured for either dedicated or switched operation. The pin assignments for the telco connector are listed in Table 2-A.

**Table 2-A**  
*Pin Assignments for Telco Connector*

| <b>Pin</b> | <b>Name</b> | <b>Description</b>                       |
|------------|-------------|--|
| 1          | R1          | Transmit Data from DSU to Network-Ring 1 |
| 2          | T1          | Transmit Data from DSU to Network-Tip 1  |
| 3-6        | -           | Not Used                                 |
| 7          | T           | Receive Data from Network to DSU-Tip     |
| 8          | R           | Receive Data from Network to DSU-Ring    |

## DTE DATA CONNECTION/PRIMARY DTE

The primary DTE should be connected to either the EIA-232 DTE connector or the CCITT V.35 DTE connector. The maximum cable lengths recommended are 50 feet for the EIA-232, and 100 feet for the CCITT V.35. The pin assignments for the connectors are listed in Tables 2-B and 2-C.

The V.35 connector is recommended for use with data rates above 19.2 kbps. The EIA-232 connector works up to 56 kbps with a low capacitance cable or with the external transmit clock option selected. The primary DTE rate is configured from the front panel. The primary DTE can operate in asynchronous or synchronous modes.



**CAUTION**

*To prevent possible radio frequency interference emissions, a shielded cable is required.*

**Table 2-B**  
*Pin Assignments for Primary EIA-232 Connector*

| Pin | EIA | Description                        |
|-----|-----|------------------------------------|
| 1   | AA  | Protective Ground (PG)             |
| 2   | BA  | Transmit Data (TD)                 |
| 3   | BB  | Receive Data (RD)                  |
| 4   | CA  | Request to Send (RS)               |
| 5   | CB  | Clear to Send (CS)                 |
| 6   | CC  | Data Set Ready (SR)                |
| 7   | AB  | Signal Ground (SG)                 |
| 8   | CF  | Received Line Signal Detector (CD) |
| 9   | -   | +12 Test Point                     |
| 10  | -   | -12 Test Point                     |
| 15  | DB  | Transmit Clock (TC)                |
| 17  | DD  | Receive Clock (RC)                 |
| 18  | -   | Local Loopback (LL)                |
| 20  | CD  | Data Terminal Ready (TR)           |
| 21  | -   | Remote Loopback (RL)               |
| 22  | CE  | Ring Indicator (RI)                |
| 24  | DA  | External TX Clock (ETC)            |
| 25  | -   | Test Indicator (TI)                |

**Table 2-C**  
*Pin Assignments for Primary V.35 Connector*

| <b>Pin</b> | <b>CCITT</b> | <b>Description</b>                        |
|------------|--------------|---|
| A          | 101          | Protective Ground (PG)                    |
| B          | 102          | Signal Ground (SG)                        |
| C          | 105          | Request to Send (RS)                      |
| D          | 106          | Clear to Send (CS)                        |
| E          | 107          | Data Set Ready (SR)                       |
| F          | 109          | Received Line Signal Detector (CD)        |
| H          | -            | Data Terminal Ready (TR)                  |
| J          | -            | Ring Indicator (RI)                       |
| L          | -            | Local Loopback (LL)                       |
| N          | -            | Remote Loopback (RL)                      |
| R          | 104          | Received Data (RD-A)                      |
| T          | 104          | Received Data (RD-B)                      |
| V          | 115          | Receiver Signal Element Timing (SCR-A)    |
| X          | 115          | Receiver Signal Element Timing (SCR-B)    |
| P          | 103          | Transmitted Data (SD-A)                   |
| S          | 103          | Transmitted Data (SD-B)                   |
| Y          | 114          | Transmitter Signal Element Timing (SCT-A) |
| AA         | 114          | Transmitter Signal Element Timing (SCT-B) |
| U          | 113          | External TX Signal Element (SCX-A)        |
| W          | 113          | External TX Signal Element (SCX-B)        |
| NN         | -            | Test Indicator (TI)                       |

## SECONDARY CHANNEL CONNECTION

If used, the secondary DTE should be connected to the auxiliary EIA-232 connector. The pinout for the connector is shown in Table 2-D.

**Table 2-D**  
*Pin Assignments for Auxiliary EIA-232 Connector*

| Pin | CCITT | Description   |
|-----|-------|---|
| 1   | AA    | Protective Ground (PG)                              |
| 2   | BA    | Transmit Data (TD)                                  |
| 3   | BB    | Receive Data (RD)                                   |
| 4   | CA    | Request to Send (RS)                                |
| 5   | CB    | Clear to Send (CS)                                  |
| 6   | CC    | Data Set Ready (SR) On all the time.                |
| 7   | AB    | Signal Ground (SG)                                  |
| 8   | CF    | Received Line Signal Detector (CD) On all the time. |

## CONFIGURATION

The DSU III AR contains four different user profiles (sets of configurations options) that are stored in read only memory. These profiles are listed in the appendix *Default Configuration Profiles*. The unit is shipped from the factory with profile 1 (default configuration) loaded into the nonvolatile configuration memory. If profile 1 matches the desired system requirements, then no additional configuration is required to put the unit into service. If profile 1 does not match the desired system requirements, modify the default configuration or select another profile more closely matching the desired configuration and modify.

When a new profile is loaded or the existing profile is modified, it is stored in the nonvolatile configuration memory. The DSU III AR is then configured with that profile every time power is turned on or reset.

See the chapter *Manual Command* for information on loading default configuration profiles.

## Configuration Methods

The DSU III AR provides methods for both local and remote configuration. These methods are shown in Table 2-E.

**Table 2-E**  
*Configuration Methods*

| Method        | Stand Alone |        |
|---------------|-------------|--------|
|               | Local       | Remote |
| AT Commands   | Yes         | Yes    |
| V.25 Commands | Yes         | Yes    |
| Front Panel   | Yes         | Yes    |
| DATAMATE      | No          | Yes    |
| VT 100        | No          | Yes    |

## AT Commands

The DSU III AR can be configured and controlled with in-band AT commands from an asynchronous DTE port just as modems are.

To exit the data mode and enter the command mode, the asynchronous DTE device must transmit a proper escape sequence or three pluses (+++) to the DSU III AR. A specified time delay must occur between the last data character and the first escape sequence character. This is the guard time delay, and it can be changed by writing a value to the S12 register. The default value for the guard time is one second. For a valid escape sequence to occur, the DTE must transmit the escape code character three times in succession with delay between each character being less than the guard time.

Once the command mode is entered, AT commands can be transmitted to the DSU III AR to configure most of the options or initiate tests to check both the DSU III AR and the network connections. All command lines must begin with the AT character set in either capital or lower case letters.

The command line may contain a single command or a series of commands after the AT attention code. When a series of commands is used, the individual commands may be separated with spaces for readability. The maximum length for a command line is 40 characters. Each command line is executed by the DSU III AR upon receipt of a terminating character. The default terminating character is a carriage return (ASCII 013), but it can be changed by writing a different value to register S3.

Before the terminating character is transmitted, the command line can be edited by using the backspace character (ASCII 008) to erase errors so the proper commands can be entered. Valid AT commands for the DSU III AR are listed in the appendix *AT Commands*.

## V.25 bis Commands

When configured for the V.25 bis option, the DSU III AR accepts in-band dialing and configuration commands from both synchronous and asynchronous DTE ports.

The V.25 bis option supports the following protocols:

- SDLC (Synchronous Data Link Control)
- BI-SYNC
- ASYNCHRONOUS

### SDLC Option

#### Character Format

- Data bits - 8
- Parity bit - Ignored

#### Command Structure

[F][A][C][V.25 bis COMMAND][FCS][F]

The address field [A] is FFH. The control field [C] is set to 13H except for cases of multi-frame responses. For this case, the control field is set to 03H in all but the last frame. The 03H in the control field indicates that other frames are to follow while the 13H in the control field indicates the final frame.

## Bi-Sync Option

### Character Format

- Data bits - 7
- Parity bit - Odd

### Command Structure

[SYN][SYN][STX][V.25 bis COMMAND][ETX]

## Asynchronous Option

### Character Format

- Start bit - 1
- Data bits - 7
- Parity bit - Even
- Stop bit - 1

### Command Structure

[V.25 bis COMMAND][CR][LF]

## Command Descriptions

The ADTRAN V.25 bis command set is a subset of the CCITT V.25 bis command set. In addition to the CCITT commands supported, ADTRAN has added configuration commands for both local and remote DSUs. The ADTRAN V.25 bis command set follows:

|     |                                  |
|-----|----------------------------------|
| CIC | Connect incoming call            |
| CNL | Configuration local              |
| CNR | Configuration remote             |
| CRN | Call request with number         |
| CRS | Call request using stored number |
| DIC | Disregard incoming call          |
| PRN | Program number                   |
| RLN | Request list of numbers          |

The following list contains possible responses to V.25 bis commands:

|       |  |
|-------|--|
| VAL   | Valid V.25 command processed                       |
| CFIET | Call failed on switched network - busy detected    |
| CFIDE | Call failed on switched network - no wink detected |
| CFINS | Call failed - no dial string in specified register |
| INVCU | Unknown command detected                           |
| INVPS | Invalid parameter syntax                           |
| INVPV | Invalid parameter value                            |
| INVBL | Invalid local password                             |
| INVBM | Invalid remote password                            |
| INC   | Incoming call                                      |
| CNX   | Call connected                                     |

If verbose (wordy) responses are disabled (ATV0), the following list of three-character responses are the only ones returned:

|     |                              |
|-----|------------------------------|
| VAL | Valid V.25 command processed |
| INV | Invalid command received     |
| CFI | Call failed                  |
| INC | Incoming call                |
| CNX | Call connected               |

## Syntax and Possible Responses

### **CIC (Connect Incoming Call)**

This command causes the DSU to go on-line. For dial backup units, this command hangs up the dial backup line and initiates an attempt to reestablish the main (DDS) line. There are no parameters associated with this command. Possible indications include VAL, CNX, and CFIxx.

### **CNL (Configuration Local)**

This command is used to pass AT commands to the local modem via the V.25 bis command processor. This allows the DSU III AR to be configured with AT commands via a synchronous interface. The command has the following format:

```
CNL[LOCAL PASSWORD;]AT[ONE OR MORE AT COMMANDS]
```

A local password may not be required depending on the present

configuration of the unit. Responses to CNL commands are returned in the data format currently configured. Possible responses include VAL and INVn.

#### **CNR (Configuration Remote)**

This command is used to pass AT commands over the network to the remote DSU via the V.25 bis command processor. This allows a remote DSU III AR to be configured from a synchronous interface. The command's format is as follows:

```
CNR[REMOTE PASSWORD;]AT[ONE OR MORE AT COMMANDS]
```

The remote password may or may not be required depending on the present configuration of the remote unit. Responses to the CNR commands are returned in the data format currently configured. Possible responses include VAL and INVn.

### **Switched 56 Operation**

#### **CRN (Call Request with Number)**

When the DSU III AR is configured for SW56 operation, the CRN command causes the DSU to dial the supplied number. The command's format follows:

```
CRN[NUMBER TO BE DIALED]
```

If no number is included in the command, the number stored in dial register number 1 is dialed. If no number is provided and no number is stored in dial register number 1, the DSU III AR responds with the call failure indication CFINS (Call Failure Indication Not Stored).

For a DBU unit, this command initiates dialing on the backup circuit. If the number supplied contains non-dialable digits, they are ignored and only the dialable digits are dialed. Possible responses include VAL, CNX, and CFIXx.

#### **CRS (Call Request Using Stored Number)**

The CRS command causes the DSU III AR to dial the number

stored in the specified register. The format of this command is as follows:

```
CRS    [OPTIONAL SPACE][REGISTER NUMBER 1-10]
```

If this command is issued without the register number parameter, the INVPS (Invalid Parameter Syntax) response is issued. If this command is issued and the register parameter is not in the valid range for dialing registers, the INVPV (Invalid Parameter Value) response is returned. Other responses include VAL,CNX, and CFIXX.

#### **DIC (Disregard Incoming Call)**

This command causes the V.25 bis processor to return to command mode even if there is an incoming call pending. This allows local commands to be issued and incoming calls to be ignored. There are no parameters associated with this command. The DSU responds with VAL.

#### **PRN (Program Number)**

This command stores the supplied number into the specified register. The command has the following format:

```
PRN    REGISTER NUMBER;[NUMBER TO BE STORED]
```

If this command is entered with no parameters, the INVPS response is returned. If no register number is included in the command or if it is invalid, the INVPV response is returned. This response is also returned if the number to be stored contains invalid characters. The characters 1, 2, 3, 4, 5, 6, 7, 8, 9, 0, P, T, and & are valid dial characters. If no digits are issued with this command, the specified register is cleared. The DSU responds with VAL.

#### **RLN (Request List of Numbers)**

This command causes the DSU III AR to return the number

stored in the specified register. The format of this command follows:

```
RLN [REGISTER NUMBER]
```

If the register number is invalid, the INVPV response is returned. When a correct register number is entered, the following response is returned:

```
LSN [REGISTER NUMBER];[NUMBER STORED]VAL
```

If no register number is present in the command, the DSU III AR responds with a list of all the registers and the stored numbers. This list is followed by the VAL response.



# Chapter 3

## Operation

---

### MENU STRUCTURE

The DSU III AR uses a multilevel menu approach to access its many features. All menu operations are displayed in the LCD window.

The opening menu is the access point for all other operations. There are four Main menu branches: Status, Test, Configuration and Dial.

Each Main menu item has several functions and sub-menus to identify and access specific parameters.

#### LCD Display of the Main Menu

|                 |               |
|-----------------|---------------|
| <b>1=STATUS</b> | <b>2=TEST</b> |
| <b>3=CONFIG</b> | <b>4=DIAL</b> |



**NOTE**

*The DIAL option is only available when the unit is configured for a Switched 56 network type. For more information, see the chapter Dial Selection.*

## Main Menu

The following paragraphs briefly describe the main menu's four branches. More detailed information is provided in the individual chapters for each branch.

### Status

Status is used to display all relevant information for the network and DTE interfaces. It displays the current operating mode, loop status, rate of service from the network, DTE data rate and format, and TR, SR, LL, and RL DTE interface lead status. The display returns to the status menu when the front panel is not accessed. Refer to the chapter *Status Selection* for more detailed information.

### Test

Test is used to control local and remote testing. Select local or remote testing, and select the type of test and test pattern when required. For more information see the chapter, *Test Selection*.

### Configuration (CONFIG)

Configuration is used to select network and DTE operating parameters. This menu branch is divided into several chapters for easier reference. The division includes a brief overview chapter followed by a separate chapter for each of the five sub-menus of the CONFIG branch: *Configuring Network Options*, *Configuring DTE Options*, *Configuring Test Options*, *Configuring Dial Options*, and *Manual Command*.

### Dial

Dial provides manual dialing functions. Key in a number to dial, select one of the ten stored numbers, or redial the last dialed number. This menu is available for use only when AT&T/MCI SW56 or US SPRINT SW56 is the selected network type. See the chapter, *Dial Selection*, for more information.

---

## Basic Menu Travel

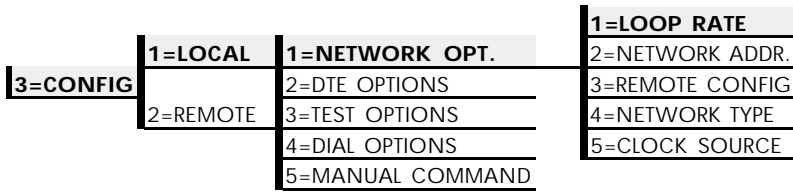
Four function keys on the left side of the DSU III AR keypad allow the various menu branches to be entered, exited, and scrolled through. The four function keys are defined below.

|                   |   |
|-------------------|---|
| <b>Enter</b>      | Selects a displayed item.                                   |
| <b>Up Arrow</b>   | Scrolls up the sub-menu items.                              |
| <b>Down Arrow</b> | Scrolls down the sub-menu items.                            |
| <b>Cancel</b>     | Exits (back one level) from the current branch of the menu. |

To choose a menu item, press the corresponding number or alpha character on the keypad (press **Shift** to activate alpha characters). The item flashes on and off to show it is the currently selected (active) choice. Pressing either the **Up** or **Down Arrow** scrolls through the available menu items. Pressing **Enter** selects the flashing item.

The following example and Figure 3-1 illustrate how to select the DSU III AR Loop Rate option.

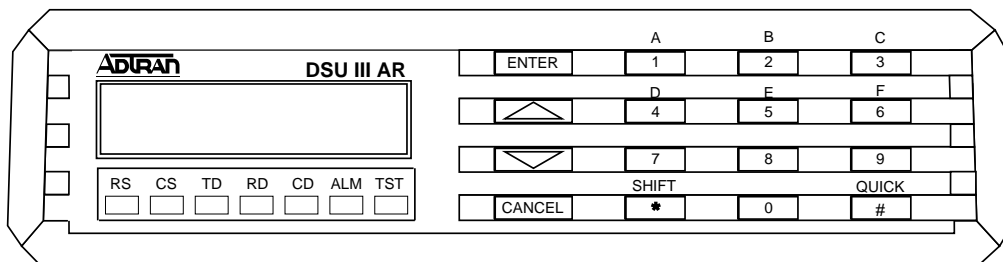
1. Select Configuration (CONFIG) by pressing **3**, then press **Enter**.
2. Select LOCAL or REMOTE test by pressing the corresponding number, then press **Enter**.
3. Use the **Up** and **Down Arrows** to view sub-menu items.
4. Choose an item on the sub-menu such as Network Options (NETWORK OPT).
5. To select NETWORK OPT press **1**, then press **Enter**.
6. To select LOOP RATE options, press **1**, then press **Enter**.
7. The current network loop rate is flashing. Scroll up or down to view possible options. To select a new loop rate, press the corresponding number then press **Enter**.



**Figure 3-1**  
*Example of Basic Menu Travel*

## FRONT PANEL

The DSU III AR faceplate is shown in Figure 3-2.



**Figure 3-2**  
*DSU III AR Front View*

The following function descriptions apply to the stand alone DSU III AR.

### LCD Window

Displays menu items and messages in 2 lines by 16 characters.

### Enter

Selects active menu items. To activate a menu item, press the number of the item. When the menu item is flashing, press **Enter** to select it. A sub-menu item is invoked or a configuration parameter is set. The display of **COMMAND ACCEPTED** indicates a valid operation.

### Numeric Keypad

The numeric keypad contains the numbers 0 through 9 and alpha characters A through F, which are used to activate menu items or enter parameters.

### **Shift**

Alpha characters are entered by pressing **Shift** before each desired character.

To activate a menu item designated by an alpha character rather than a number, display the menu item using the **Up** and **Down Arrows**, press **Shift** then the letter. Press **Enter** to select the item.

If a key is pressed without using **Shift**, the numbered item becomes active instead of the alpha item. If this happens, repeat the correct procedure.

### **Quick**

During most operations, the **Quick** key returns the display to the Main menu. During a test, the **Quick** key returns to the top of the Test menu. In SW56 operation, if the unit is not in test, the **Quick** key returns to the Dial menu.

### **Cancel**

The **Cancel** key stops the current activity and returns to the previous menu. Repeat until the desired menu level is reached.

### **Up and Down Arrows**

The **Up** and **Down Arrows** scroll through the sub-menu items available in the current menu. Sub-menu items appear two at a time in a circular or wrapping fashion. When the sub-menu items are scrolled, they continuously appear from beginning to end in a forward (**Down Arrow**) or reverse (**Up Arrow**) pattern.

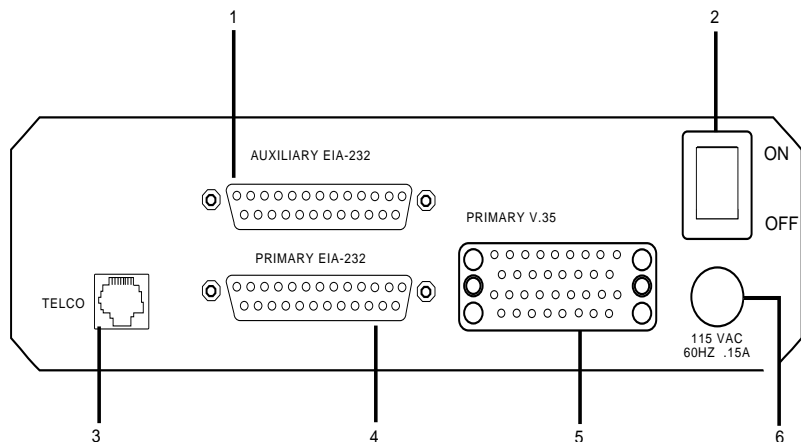
### **LED Description**

The DSU III AR has seven LED indicators: RS, CS, TD, RD, CD, ALM and TST. These LEDs are identified as follows:

|      |                  |
|------|------------------|
| RS:  | Request to Send  |
| CS:  | Clear to Send    |
| TD:  | Transmit Data    |
| RD:  | Receive Data     |
| CD:  | Carrier Detect   |
| ALM: | Alarm Indication |
| TST: | Test Mode Manual |

## REAR PANEL

The rear panel contains three DTE connectors which provide primary channel V.35 or EIA-232, and a secondary channel EIA-232 port (auxiliary EIA -232). An 8-pin telco jack, a captive power cord, and a power switch are also located on the rear panel. Pin assignments for the DTE and network connections are listed in the chapter *Installation*. The DSU III AR rear panel is shown in Figure 3-3.



### Identification of Numbers

| Item                  | Function                            |
|-----------------------|-------------------------------------|
| 1. Auxiliary EIA-232  | Secondary channel services          |
| 2. Power Switch       | Used to turn power on or off        |
| 3. Telco Connection   | Connection to the dedicated circuit |
| 4. Primary EIA-232    | DTE interface                       |
| 5. Primary V.35       | High speed DTE interface            |
| 6. 115 VAC Connection | Power cord connection               |

**Figure 3-3**  
*DSU III AR Rear View*



# Chapter 4

## Configuration Overview

---

### LOCAL AND REMOTE CONFIGURATION

The DSU III AR can be configured locally using the front panel or remotely by establishing communications with another DSU. The front panel of the local DSU can then be used to configure the remote DSU. During remote configuration, the DSU III AR prompts for the remote address before continuing to the Configuration (CONFIG) menus.

The Configuration menu consists of a group of five sub-menus relating to a specific interface or function of the DSU III AR that requires setup.

|                  |                              |
|------------------|------------------------------|
| 1=Network Opt.   | Network Interface Parameters |
| 2=DTE Options    | DTE Interface Parameters     |
| 3=Test Options   | Unit Test Options            |
| 4=Dial Options   | Unit Dialing Options         |
| 5=Manual Command | ADTRAN Specific Commands     |

The DSU III AR contains four different user profiles (sets of configurations options) that are stored in read only memory (see the appendix, *Default Configuration Profiles*). The unit is shipped from the factory with profile number 1 (default configuration) loaded into the current (nonvolatile configuration) memory. If profile 1 matches requirements for the system, then no additional configuration is required to put the unit into service. If

profile 1 does not match system requirements it can be modified, or one of the other profiles that more closely matches the system requirements can be loaded into current memory. When a different profile is loaded, or the existing profile is modified, it is stored in the current (nonvolatile configuration) memory. The DSU III AR is then configured with that profile every time power is turned on or until the unit is reset.

For detailed information on configuration see the chapters *Configuring Network Options*, *Configuring DTE Options*, *Configuring Test Options*, *Configuring Dial Options*, and *Manual Command*.

A complete Configuration menu is shown in Figure 4-1.

**(Fold Out of Complete Configuration Menu belongs here)**

**Figure 4-1**  
*Complete Configuration Menu*



# Chapter 5

## Configuring Network Options

---

### NETWORK OPTIONS

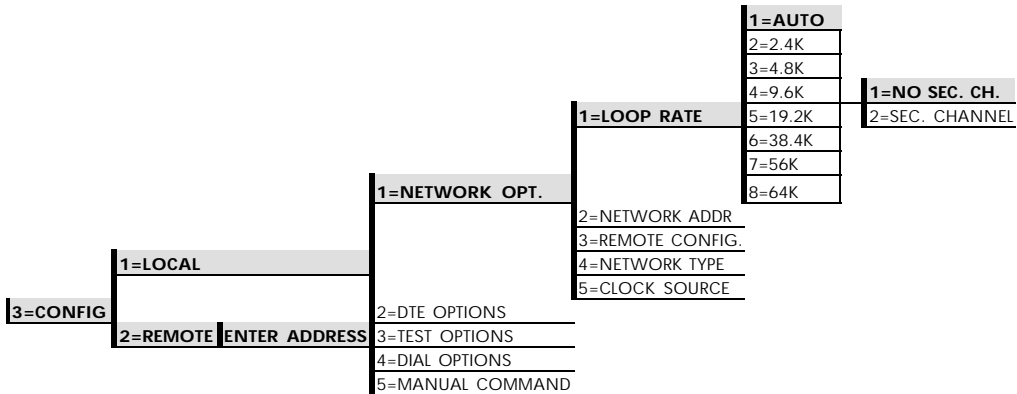
The NETWORK OPTIONS configuration parameters control the loop operation of the DSU III AR.

Once a parameter is set, **Command Accepted** is displayed briefly before returning to the active menu.

### Loop Rate

The Loop Rate option sets the loop operating speed. The unit should be set to the rate required by the DDS Service. The DSU III AR also supports subrate DTE data over a 56 kbps or 64 kbps loop. The loop rate must be set independently of the DTE rate.

Eight loop rate selections are available (shown in Figure 5-1). After selecting any loop rate other than Auto or 64 kbps the option for a secondary channel is available. The secondary channel rate is determined by the current loop rate.



**Figure 5-1**  
*Setting Loop Rate Options*

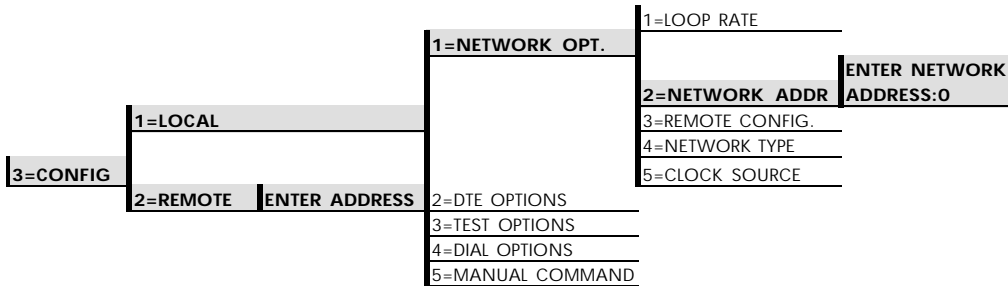
The default factory setting is AUTO. When configured to AUTO, the DSU will automatically attempt to adapt to the loop rate. Since 64k and 56k secondary channel look identical on the network, the DSU III will adapt to 56k secondary channel for either loop rate. If the loop rate is known, select the rate from the menu. The various loop rates and format selections are listed in Table 5-A with the equivalent AT commands that perform the same configuration functions.

**Table 5-A**  
*Loop Rate Commands*

| <b>Front Panel</b>              | <b>AT Command</b> |
|---------------------------------|-------------------|
| AUTO                            | %B0               |
| 2.4K with no secondary channel  | %B1               |
| 4.8K with no secondary channel  | %B2               |
| 9.6K with no secondary channel  | %B3               |
| 19.2K with no secondary channel | %B4               |
| 38.4K with no secondary channel | %B5               |
| 56K with no secondary channel   | %B6               |
| 64K clear channel               | %B7               |
| 2.4K with secondary channel     | %B9               |
| 4.8K with secondary channel     | %B10              |
| 9.6K with secondary channel     | %B11              |
| 19.2K with secondary channel    | %B12              |
| 38.4K with secondary channel    | %B13              |
| 56K with secondary channel      | %B14              |

## Network Address

A two-digit decimal address can be assigned to each DSU III AR. This addressing capability makes it possible to perform remote configuration and testing in point-to-point and multi-drop networks. Figure 5-2 shows the menu path used to change the network address. The factory default setting is 0.



**Figure 5-2**  
*Setting the Network Address*

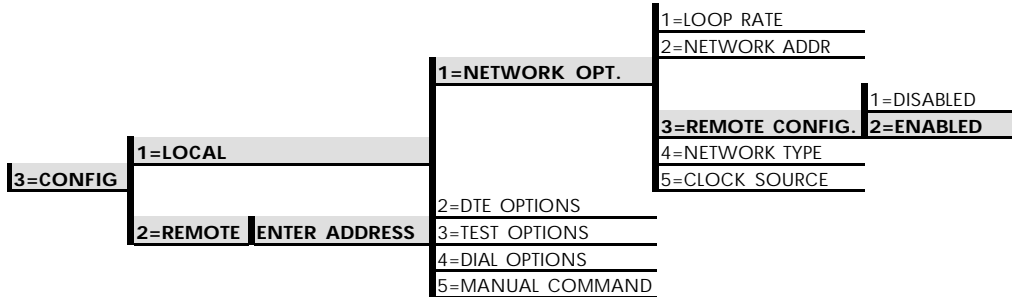
Table 5-B shows the AT command used to set the network address.

**Table 5-B**  
*Network Address Command*

| Front Panel  | AT Command | Description                       |
|--------------|------------|-----------------------------------|
| XX (Decimal) | _N=xx      | Assigns a 2 digit Network Address |

## Remote Configuration

This option sets up the DSU III AR to accept or reject remote configuration commands. Figure 5-3 shows the menu path for enabling/disabling remote configuration. The factory default setting is ENABLED.



**Figure 5-3**  
*Enabling/Disabling Remote Configuration*

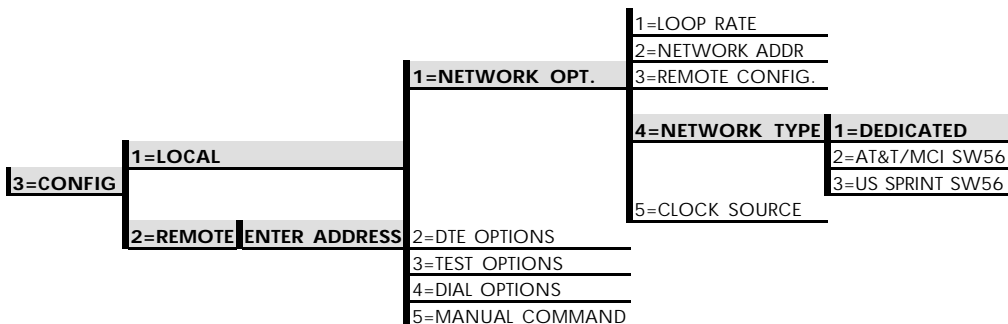
Table 5-C shows the equivalent AT commands used to enable or disable remote configuration.

**Table 5-C**  
*Remote Configuration Commands*

| Front Panel | AT Command | Description                  |
|-------------|------------|------------------------------|
| 1=DISABLE   | &P4        | Disable Remote Configuration |
| 2=ENABLE    | &P5        | Enable Remote Configuration  |

## Network Type

This option configures the DSU III AR for the specific type of network being used. The factory default setting is DEDICATED (see Figure 5-4).



**Figure 5-4**  
*Setting Network Type Options*

Table 5-D shows the equivalent AT commands that perform the same configuration functions.

**Table 5-D**  
*Network Type Commands*

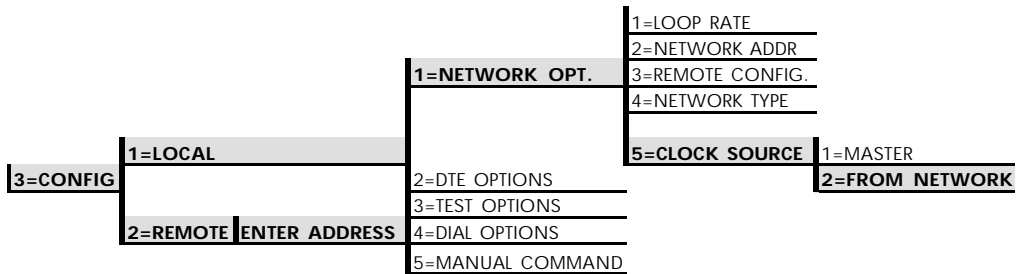
| Front Panel | AT Command | Description                   |
|-------------|------------|-------------------------------|
| 1=DEDICATED | &LO        | Any 4-wire DDS Network        |
| 2=AT&T/MCI  | &L1        | AT&T/MCI Switched 56 Service  |
| 3=US SPRINT | &L2        | US SPRINT Switched 56 Service |

When AT&T/MCI SW56 or US SPRINT SW56 is selected, the Main menu displays the DIAL selection.



## Clock Source

The CLOCK SOURCE options specify the timing source for the DSU III AR's internal circuitry. The factory default setting is FROM NETWORK (see Figure 5-5).



**Figure 5-5**  
*Setting the Clock Source*

When operating on a DDS network, the timing should be FROM NETWORK. On a point-to-point private network, one DSU III AR must be set for MASTER, and the other set for FROM NETWORK. Table 5-E shows the equivalent AT commands for setting the clock source.



*Select Master timing only if the circuit has no timing source (for example, two DSUs and a crossover cable).*

**Table 5-E**  
*Clock Source Commands*

| Front Panel    | AT Command | Description                        |
|----------------|------------|------------------------------------|
| 1=MASTER       | _X0        | DSU is the master timing source    |
| 2=FROM NETWORK | _X1        | Network RX Signal is timing source |



# Chapter 6

## Configuring DTE Options

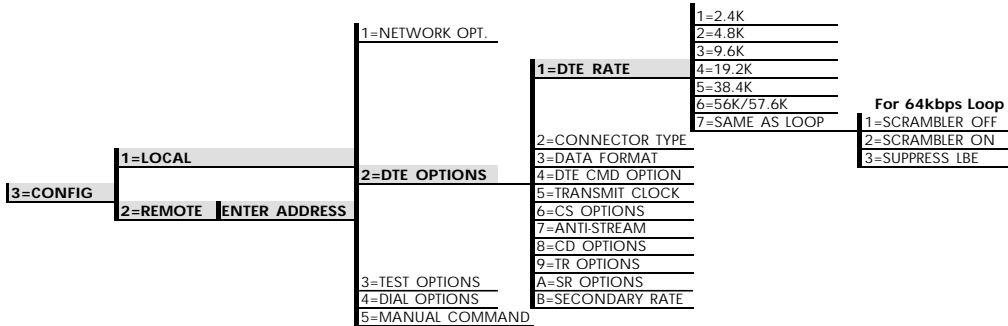
---

### DTE OPTIONS

The DTE OPTIONS menu is used to select the configuration parameters that control the operation of the DSU III AR's DTE Interface such as the DTE rate, connector type, data format, DTE command options, transmit clock, CS options, anti-stream, and CD options.

### DTE Rate

The selectable DTE rates over a 56 or 64 kbps loop with no secondary channel are shown in Figure 6-1. If a slower loop rate is selected, then the DTE rate automatically matches the loop rate. If an attempt is made to set the DTE rate for loop rates slower than 56 kbps, the DSU III AR briefly displays **DTE RATE SAME AS THE NETWORK** before returning to the status screen. The factory default setting is **SAME AS LOOP**.



**Figure 6-1**

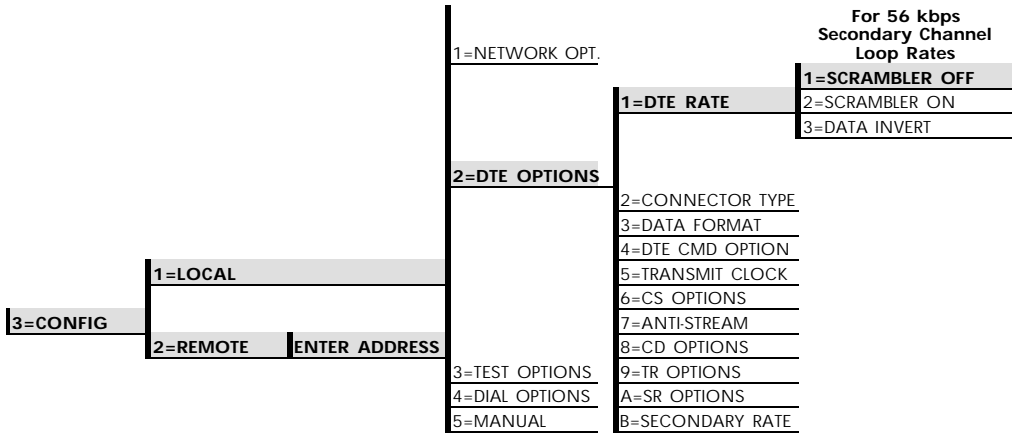
*DTE Rates for 56 or 64 kbps Loop Rate with No Secondary Channel*

The equivalent AT commands for setting the DTE rate for a 56 kbps loop rate with no secondary channel are shown in Table 6-A.

**Table 6-A**  
*DTE Rate AT Commands*

| Front Panel     | AT Command | Description                      |
|-----------------|------------|----------------------------------|
| 1=DTE 2.4K      | %K3        | DTE rate 2.4K sync and async     |
| 2=DTE 4.8K      | %K4        | DTE rate 4.8K sync and async     |
| 3=DTE 9.6K      | %K5        | DTE rate 9.6K sync and async     |
| 4=DTE 19.2K     | %K6        | DTE rate 19.2K sync and async    |
| 5=DTE 38.4K     | %K7        | DTE rate 38.4K sync and async    |
| 6=DTE 56K/57.6K | %K8        | DTE rate 56K sync or 57.6K async |
| 7=SAME AS LOOP  | %K9        | DTE rate same as loop speed      |

If the DSU III AR is set for a loop rate of 56 kbps with secondary channel, then SCRAMBLER ON/OFF options are available as shown in Figure 6-2. The factory default setting is SCRAMBLER OFF.



**Figure 6-2**  
DTE Rates for 56 kbps Secondary Channel and 64 kbps Loop Rates

Table 6-B shows the equivalent AT commands for setting SCRAMBLER ON/OFF for loop rates of 56 kbps with secondary channel and 64 kbps.

**Table 6-B**  
Scrambler On/Off AT Commands

| Front Panel     | AT Command | Description   |
|-----------------|------------|---|
| 1=SCRAMBLER OFF | _F0        | DTE data scrambler disabled   |
| 2=SCRAMBLER ON  | _F1        | DTE data scrambler enabled  |
| 3=DATA INVERT   | _F2        | DTE data invert enabled (56 kbps secondary channel Loop Rate only). LBE codes from DTE suppressed (64 kbps only). |

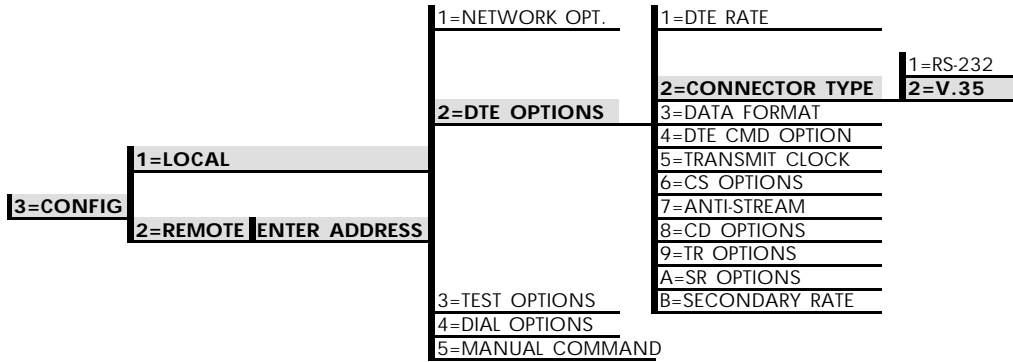


*For point-to-point operation at 56 kbps with secondary channel, the network requires that the primary and secondary channel data not be all zeros simultaneously. For HDLC protocol applications, this constraint can be eliminated by selecting either the DATA INVERT option or the SCRAMBLER ON option.*

*For 64 kbps clear channel operation, there is a possibility that the DTE data sequences might mimic network loop maintenance functions and erroneously cause other network elements to activate loopbacks. To prevent this, the SCRAMBLER ON or SUPPRESS LBE option should be selected for both the local and remote DSU III AR.*

## Connector Type

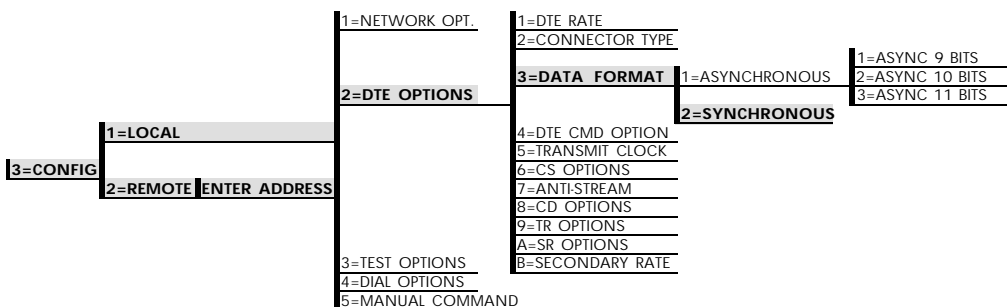
The CONNECTOR TYPE option is used to specify which of the primary channel connectors is used to connect to the DTE. Figure 6-3 shows the menu path used to set the connector type. The factory default setting is V.35. There are no AT commands available to set the connector type.



**Figure 6-3**  
*Selecting the Connector Type*

## Data Format

The DATA FORMAT option is used to select either the SYNCHRONOUS or ASYNCHRONOUS mode of operation for the DTE interface. The factory default setting is SYNCHRONOUS (see Figure 6-4). If ASYNCHRONOUS is chosen, the length of the data bytes must be selected.



**Figure 6-4**

*Selecting Asynchronous or Synchronous Data Format*

Table 6-C shows the AT commands that can be used to set the DATA FORMAT.

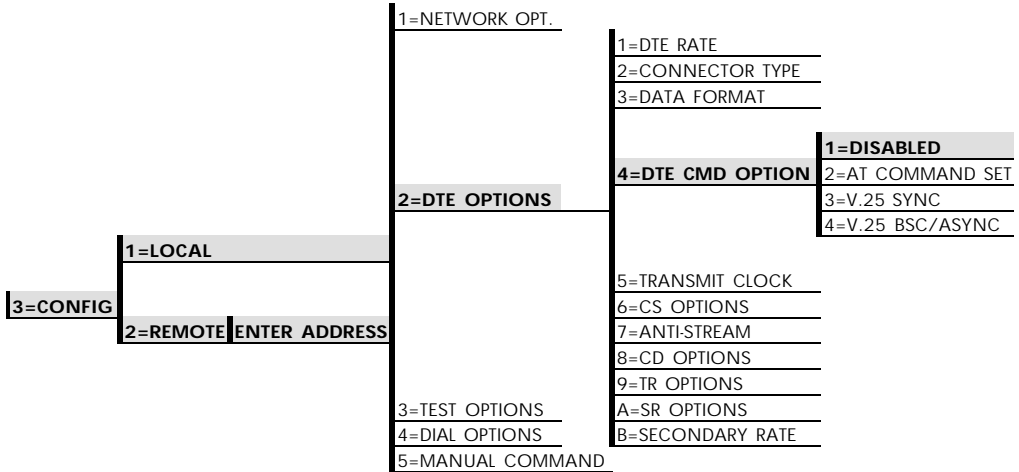
**Table 6-C**

*Data Format Commands*

| Front Panel  | AT Command | Description                           |
|--|------------|---------------------------------------|
| 1=ASYNCHRONOUS   | &Q0        | Always asynchronous                   |
| 2=SYNCHRONOUS  | &Q2        | Always synchronous                    |
| For asynchronous options, select the length of the data bytes. |            |                                       |
| 1=ASNC 9 BITS  | N/A        | 9 bits including start, stop, parity  |
| 2=ASNC 10 BITS   | N/A        | 10 bits including start, stop, parity |
| 3=ASNC 11 BITS   | N/A        | 11 bits including start, stop, parity |

## DTE Command Option

The DTE COMMAND option is used to enable AT commands from the DTE, enable V.25 bis SDLC (Synchronous Data Link Control) commands, enable V.25 (Bisync and Async), or disable all DTE command modes (see Figure 6-5).



**Figure 6-5**  
Selecting DTE Command Option

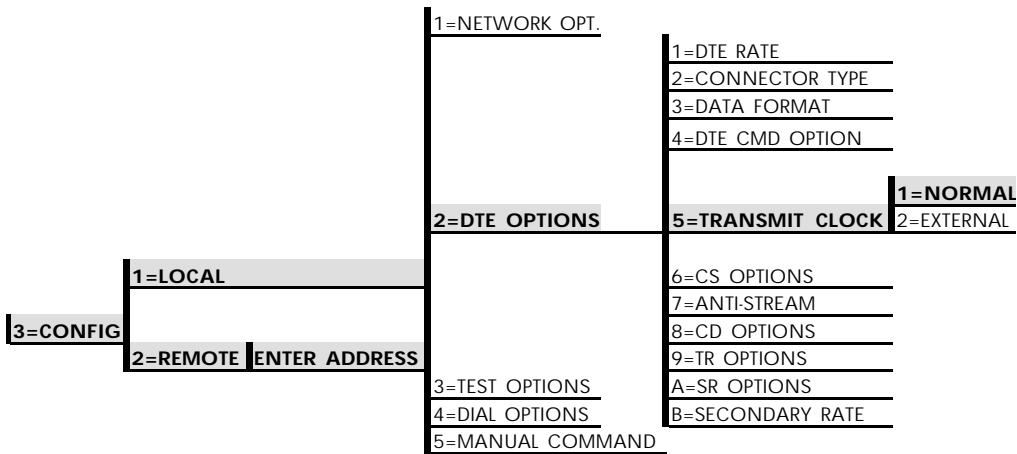


**NOTE**

When the unit is in DTE CMD OPTION mode (idle in SW56 mode, forced with TR option, or from escape sequence in AT mode) with AT COMMAND SET or V.25 SYNC selected, the DTE format is independent of the DATA FORMAT option. However, if V.25 BSC/ASYNC is selected, the unit will use V.25 BISYNC (BSC) commands for synchronous data format or V.25 ASYNC commands for asynchronous data format.

## Transmit Clock

The TRANSMIT CLOCK option is used to select the source of the clock used to transfer data from the DTE into the DSU III AR. Figure 6-6 shows the menu path used to set the TRANSMIT CLOCK option.



**Figure 6-6**  
*Transmit Clock Options*

Table 6-D shows the AT commands used to set the Transmit Clock option.

**Table 6-D**  
*Transmit Clock AT Commands*

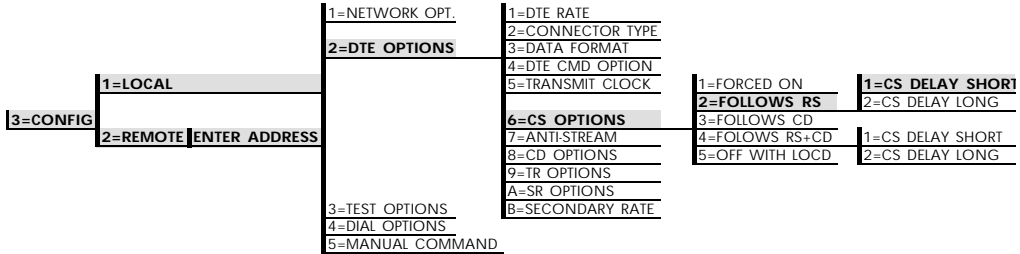
| Front Panel | AT Command | Description                 |
|-------------|------------|-----------------------------|
| 1=NORMAL    | &X0        | TX clock from DSU selected  |
| 2=EXTERNAL  | &X1        | ETC clock from DTE selected |

The EXTERNAL clock option is normally used in modem tail circuit applications. A DSU to modem interconnect diagram for this application is shown in the appendix, *DSU to Modem Interconnect*.

The EXTERNAL clock option is also recommended when the EIA-232 connector is used for 56 kbps and 64 kbps applications. A special DSU cable diagram for this application is shown in the appendix, *EIA -232 Connector*. Using this option and special cable eliminates data errors caused by excessive delays in the DTE transmit clock receiver and transmit data driver.

## CS Options

The CS (clear to send) OPTIONS menu is used to select one of five different control modes for the CS lead. Figure 6-7 shows the menu path used to access the CS OPTIONS menu. The default factory setting is FOLLOWS RS with CS DELAY SHORT.



**Figure 6-7**  
*Selecting CS Options*

If one of the options chosen involves request to send (RS), then the delay from RS to CS must be selected. Table 6-E shows the AT Commands used to set the CS OPTIONS.

**Table 6-E**  
*CS Options AT Commands*

| Front Panel                                       | AT Command | Description  |
|---|------------|--|
| 1=FORCED ON                                       | &R0        | CS always on.  |
| 2=FOLLOWS RS                                      | &R1        | CS on with RS after delay; off when RS or if DSU cannot pass data.   |
| 3=FOLLOWS CD                                      | &R2        | CS off when CD goes off or if DSU cannot pass data.  |
| 4=FOLLOWS RS+CD                                   | &R3        | CS follows RS after delay and also off if CD off. If CD goes off after RS is on, DSU III AR will turn off CS but continue to pass data until RS goes off. CS also off if DSU cannot pass data. |
| 5=OFF WITH LOCD                                   | &R4        | Off 5 sec after LOCD. Valid only in SW56 mode. CS is forced on but will turn off for 5 seconds after a call is disconnected.   |
| For RS options, select the RS to CS delay length. |            |  |
| 1=CS DELAY SHORT                                  | _D0        | Short Delay from RS to CS selected.  |
| 2=CS DELAY LONG                                   | _D1        | Long Delay from RS to CS selected.   |

Specified times for the short and long delays at the different operating speeds are shown in Table 6-F.

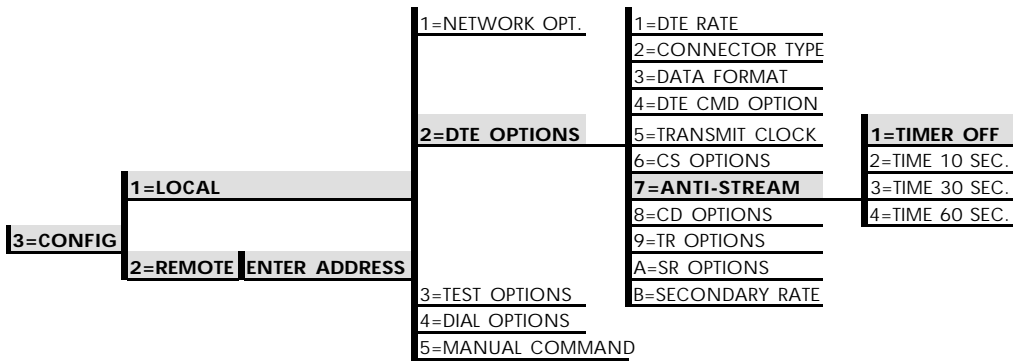
**Table 6-F**  
*Short and Long Delays at Different Operating Speeds*

| Rate  | Short Option | Long Option | Tolerance | Add to Maximum Time for Secondary Channel |
|-------|--------------|-------------|-----------|---|
| 64K   | 1.1ms        | 16.1ms      | ±.4ms     |   |
| 56K   | 1.1ms        | 16.1ms      | ±.4ms     | .33ms                                     |
| 38.4K | 1.5ms        | 16.5ms      | ±.4ms     | .63ms                                     |
| 19.2K | 1.5ms        | 16.5ms      | ±.4ms     | 1.25ms                                    |
| 9.6K  | 1.5ms        | 16.5ms      | ±.4ms     | 2.5ms                                     |
| 4.8K  | 1.9ms        | 16.9ms      | ±.7ms     | 5.0ms                                     |
| 2.4K  | 3.8ms        | 18.8ms      | ±1.3ms    | 10.0ms                                    |

## Anti-Stream

The ANTI-STREAM option is used to select the anti-stream timeout. Figure 6-8 shows the menu path used to access the ANTI-STREAM options menu. The anti-stream timeout is the maximum time the DSU III AR transmits data into the network from the DTE. This feature prevents one DTE device on a multi-drop network from continuously tying up the transmit circuit back to the master DSU.

The anti-stream timer is reset to zero when RS changes to the active state and is updated every second while RS is active. When the anti-stream timeout expires, the DSU III AR stops transmitting DTE data into the network but continues to accept data from it. This condition exists until the DTE deactivates the RS input.



**Figure 6-8**  
*Anti-Stream Options*

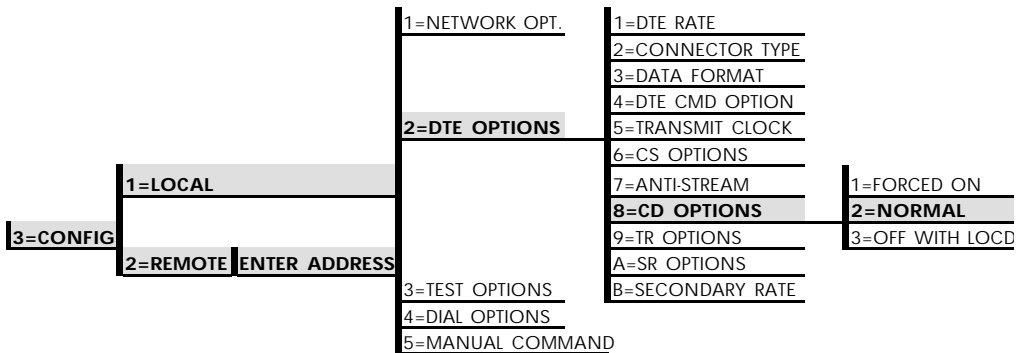
The factory default setting is **TIMER OFF**. Table 6-G shows the available options and their AT commands.

**Table 6-G**  
*Anti-Stream AT Commands*

| Front Panel    | AT Command | Description                |
|----------------|------------|----------------------------|
| 1=TIMER OFF    | %T0        | Anti-stream timer disabled |
| 2=TIME 10 SEC. | %T1        | Timeout equal 10 seconds   |
| 3=TIME 30 SEC. | %T2        | Timeout equal 30 seconds   |
| 4=TIME 60 SEC. | %T3        | Timeout equal 60 seconds   |

## CD Options

The CD OPTIONS menu is used to select one of three different control modes for the receive line signal detector (CD) lead. The default factory setting is **NORMAL** (see Figure 6-9).



**Figure 6-9**  
*Selecting CD Options*

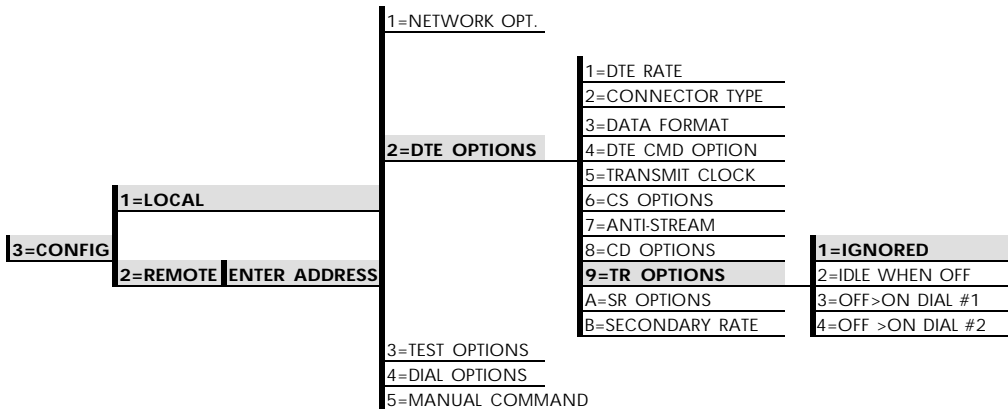
Table 6-H shows the equivalent AT commands for setting CD options.

**Table 6-H**  
*CD Options AT Commands*

| Front Panel     | AT Command | Description  |
|-----------------|------------|--|
| 1=FORCED ON     | &C0        | On all the time.                                       |
| 2=NORMAL        | &C1        | On only when data present on loop.                     |
| 3=OFF WITH LOCD | &C2        | On except after disconnect in Switched 56 application. |

## TR Options

The TR OPTIONS menu is used to select the DSU III AR response to the data terminal ready (TR) lead. The factory default setting is IGNORED (see Figure 6-10).



**Figure 6-10**  
*Selecting TR Options*

Table 6-I shows the equivalent AT commands for setting TR OPTIONS.

**Table 6-I**  
*TR Options AT Commands*

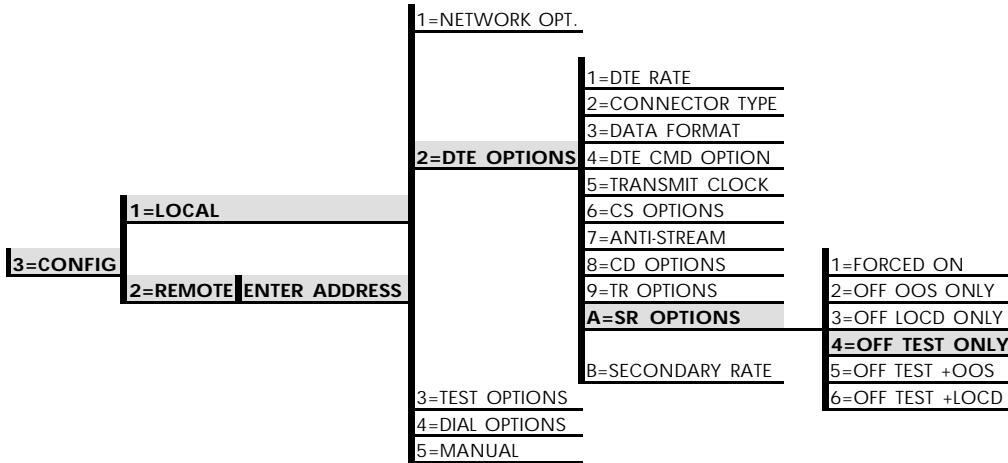
| Front Panel      | AT Command | Description                                    |
|------------------|------------|--|
| 1=IGNORE         | &D0        | Ignore the TR input.                           |
| 2=IDLE WHEN OFF  | &D2        | See the following Note.                        |
| 3=OFF>ON DIAL #1 | &D3        | Dial Stored #1: TR goes off to on (SW56 only). |
| 4=OFF>ON DIAL #2 | &D4        | Dial Stored #2: TR goes off to on (SW56 only). |



*For IDLE WHEN OFF option: In SW56 mode, TR off will cause the DSU to go On Hook (Idle). The unit also will not dial out if TR is off. In dedicated mode, the DSU will go into DTE command mode when TR goes off. When TR goes on, if the DSU does not receive a command in the number of seconds set in S40, the DSU will go into data mode.*

## SR Options

The SR OPTIONS menu is used to select the operating mode for the data set ready (SR) lead. Press **Shift + A** to activate the SR OPTIONS sub-menu. The factory default setting is OFF TEST ONLY (shown in Figure 6-11).



**Figure 6-11**  
*Setting SR Options*

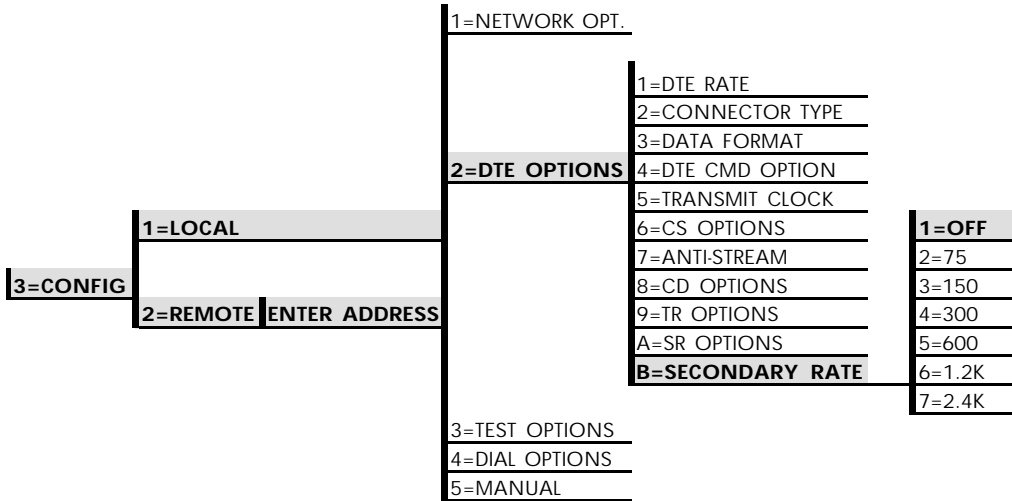
Table 6-J shows the AT commands for setting SR OPTIONS.

**Table 6-J**  
*SR Options AT Commands*

| Front Panel      | AT Command | Description                                 |
|------------------|------------|---|
| 1=FORCED ON      | &S0        | Always on.                                  |
| 2=OFF OOS ONLY   | &S1        | Off when network Out Of Service (OOS).      |
| 3=OFF LOCD ONLY  | &S3        | Off 5 seconds after disconnect (SW56 only). |
| 4=OFF TEST ONLY  | &S0_C0     | Off when unit is in test.                   |
| 5=OFF TEST +OOS  | &S1_C0     | Off in test or OOS.                         |
| 6=OFF TEST +LOCD | &S5        | Off 5 seconds after disconnect or test.     |

## Secondary Rate

The SECONDARY RATE option is used to select the operating speed for the secondary channel if the secondary channel option was selected during setup of the Network Options (see Figure 6-12). Press **Shift + B** to activate the SECONDARY RATE sub-menu. The factory default is OFF. The secondary channel has an internal 256 byte buffer. If the secondary channel speed is higher than the throughput in the network, CTS flow control is activated. If the secondary DTE does not respond to CTS flow control, care should be taken to prevent the secondary channel internal buffer from overflowing. Network throughput is shown in Table 6-L.



**Figure 6-12**  
*Setting the Secondary Rate*

Table 6-K shows the equivalent AT commands for setting the secondary rate option.

**Table 6-K**  
*Secondary Rate AT Commands*

| Front Panel | AT Command | Description                      |
|-------------|------------|----------------------------------|
| 1=OFF       | _Y0        | No secondary channel selected    |
| 2=75        | _Y1        | Secondary channel rate: 75 bps   |
| 3=150       | _Y2        | Secondary channel rate 150 bps   |
| 4=300       | _Y3        | Secondary channel rate: 300 bps  |
| 5=600       | _Y4        | Secondary channel rate 600 bps   |
| 6=1.2K      | _Y5        | Secondary channel rate 1200 bps  |
| 7=2.4K      | _Y6        | Secondary channel rate: 2400 bps |

**Table 6-L**  
*DSU III AR Network Throughput*

| Loop Rate        | Secondary Channel Throughput |
|------------------|------------------------------|
| 2.4k             | 78                           |
| 4.8k             | 156                          |
| 9.6k             | 312                          |
| 19.2k            | 627                          |
| 38.4k            | 1.25k                        |
| 56k No Scrambler | 1.83k                        |
| 56k Scrambler    | 2.4k                         |

# Chapter 7

## Configuring Test Options

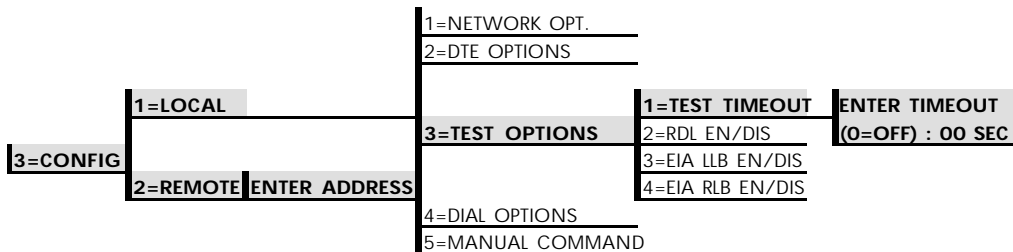
---

### TEST OPTIONS

The TEST OPTIONS menu enables or disables different test modes and specifies the maximum test time allowed.

### Test Timeout

The TEST TIMEOUT option sets the length of time a DSU III AR remains in a test mode before automatically returning to the data mode. Enter the timeout from 0 to 255 seconds. The factory default setting is off (0). Figure 7-1 shows the menu path used to access TEST TIMEOUT.



**Figure 7-1**  
*Setting Test Timeout Option*

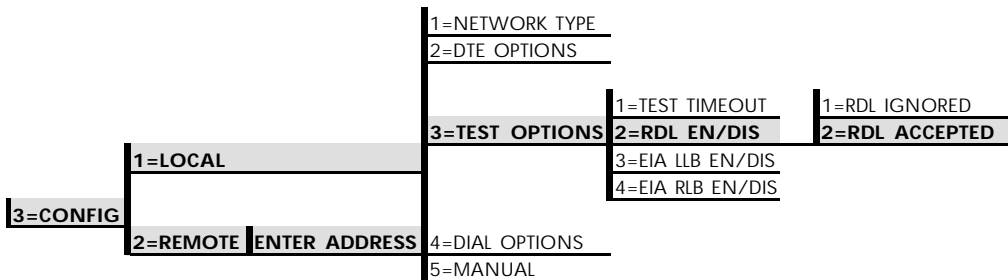
Table 7-A shows the equivalent AT commands for setting the TEST TIMEOUT.

**Table 7-A**  
*Test Timeout AT Commands*

| Front Panel   | AT Command | Description                          |
|---------------|------------|--------------------------------------|
| ENTER TIMEOUT | S18=x      | Specify 0 - 255 seconds test timeout |

## Remote Digital Loopback

The RDL (Remote Digital Loopback) option specifies whether or not the DSU III AR responds to an RDL request from the far end of the circuit. The factory default setting is RDLACCEPTED. Figure 7-2 shows the menu path used to access this option.



**Figure 7-2**  
*Remote Digital Loopback*

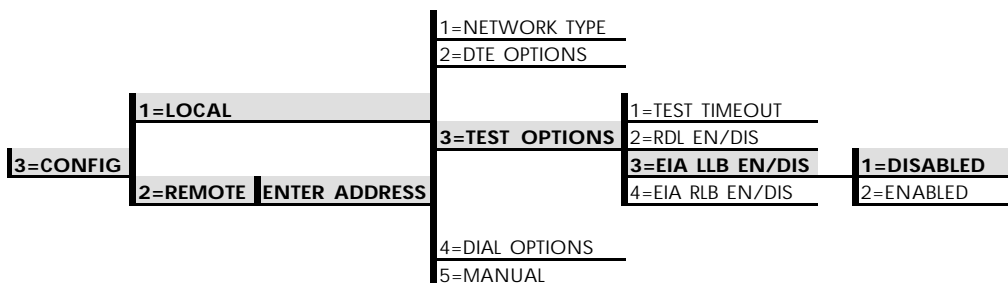
Table 7-B shows the equivalent AT commands for setting the RDL option.

**Table 7-B**  
*Remote Digital Loopback AT Commands*

| Front Panel    | AT Command | Description                         |
|----------------|------------|-------------------------------------|
| 1=RDL IGNORED  | &T5        | RDL request from remote DSU ignored |
| 2=RDL ACCEPTED | &T4        | RDL request accepted                |

## EIA Local Loopback

The EIA LLB (Electronics Industries Association Local Loopback) option specifies whether or not the DSU III AR responds to the LLB input from the DTE. The factory default setting is DISABLED. Figure 7-3 shows the menu path used to access the EIA LLB option.



**Figure 7-3**  
*EIA Local Loopback Options*

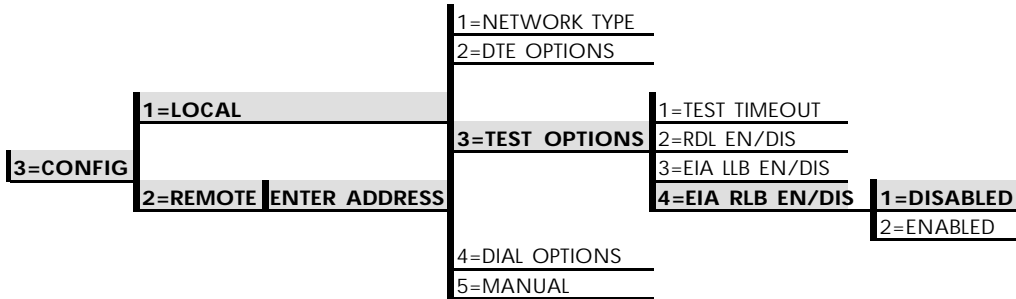
Table 7-C shows the equivalent AT commands for setting the EIA LLB options.

**Table 7-C**  
*EIA Local Loopback AT Commands*

| Front Panel | AT Command | Description      |
|-------------|------------|------------------|
| 1=DISABLED  | _A0        | EIA LLB disabled |
| 2=ENABLED   | _A1        | EIA LLB enabled  |

## EIA Remote Loopback

The EIA RLB (Electronics Industries Association Remote Loopback) option specifies whether or not the DSU III AR responds to the RLB input from the DTE. The factory default setting is DISABLED. Figure 7-4 shows the menu path for the EIA RLB options.



**Figure 7-4**  
*EIA Remote Loopback Options*

Table 7-D shows the equivalent AT commands for setting the EIA RLB options.

**Table 7-D**  
*EIA Remote Loopback AT Commands*

| Front Panel | AT Command | Description      |
|-------------|------------|------------------|
| 1=DISABLED  | _R0        | EIA RLB disabled |
| 2=ENABLED   | _R1        | EIA RLB enabled  |

# Chapter 8

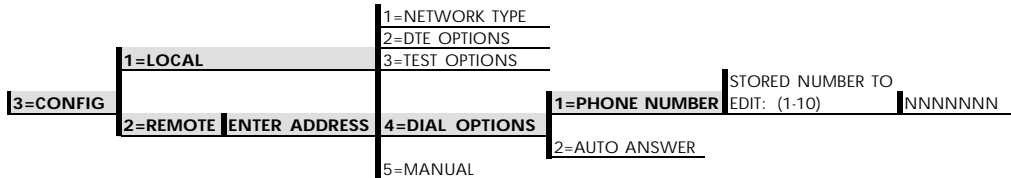
## Configuring Dial Options

### DIAL OPTIONS

The DIAL OPTIONS menu stores up to ten phone numbers and defines the AUTO ANSWER operation of the DSU III AR when it is configured for Switched 56 operation.

### Phone Number

The DSU III AR stores up to ten numbers of 36 digits each. Edit a phone number by reentering the entire number. This process overwrites the previously stored number. Figure 8-1 shows the menu path used to access the PHONE NUMBER option.



**Figure 8-1**  
*Editing Stored Phone Numbers*

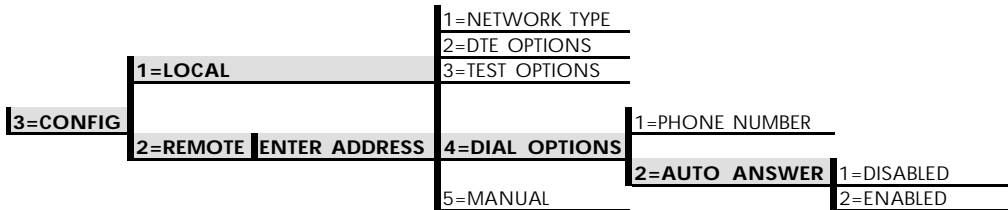
Table 8-A shows the AT Command for storing phone numbers.

**Table 8-A**  
*AT Command for Storing Phone Numbers*

| AT Command | Description        |
|------------|--------------------|
| &Zn=       | Store Phone Number |

## Auto Answer

The AUTO ANSWER option is used to specify how incoming calls are to be answered. If ENABLED, incoming calls are automatically answered by the DSU III AR. If DISABLED, an incoming call can be answered manually by an AT or V.25 command from the DTE, or by raising TR from the DTE. Figure 8-2 shows the menu path used to enable or disable this option.



**Figure 8-2**  
*Enabling/Disabling the Auto Answer Function*

Table 8-B show the AT Commands available for the AUTO ANSWER option.

**Table 8-B**  
*AT Commands for Auto Answer*

| Front Panel | AT Command | Description          |
|-------------|------------|----------------------|
| 1=DISABLED  | _J0        | Auto Answer disabled |
| 2=ENABLED   | _J1        | Auto Answer enabled  |

# Chapter 9

## Manual Command

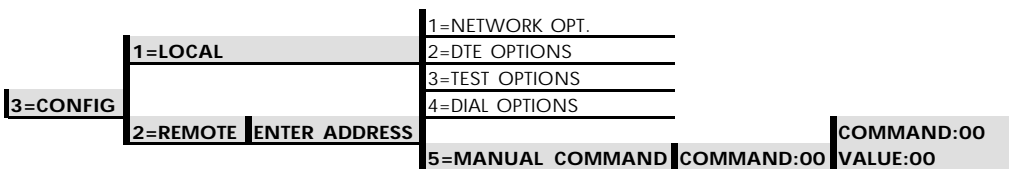
### MANUAL COMMAND

The MANUAL COMMAND option is a shortcut method for entering configuration and control commands for the DSU III AR.

The first display prompts the user to enter the command number.

**COMMAND:00**

Figure 9-1 shows the menu path for MANUAL COMMAND. The available manual commands are listed in Table 9-A.



**Figure 9-1**  
*Manual Command*

Use the number keys to enter the hexadecimal command number. Press **Enter** to complete. Once the command number is entered, the display shows both the command number and the present value or setting for the command. The command value can be edited or reissued with the existing value.

**COMMAND: XX**  
**VALUE: 00**

Use the number keys to enter the hexadecimal value. Press **Enter** to complete. The system briefly displays **COMMAND ACCEPTED** and returns to the active menu.

**Table 9-A**  
*Manual Commands*

| <b>Command Description</b>              | <b>Command</b> | <b>Value</b> |
|---|----------------|--------------|
| AT Command Echo                         |                |              |
| Disable                                 | 82             | 00           |
| Enable                                  | 82             | 01           |
| AT Result code                          |                |              |
| Enable                                  | 85             | 00           |
| Disable                                 | 85             | 01           |
| AT Long or Short code                   |                |              |
| Short form                              | 86             | 00 to FF     |
| Long form                               | 86             | 00 to FF     |
| AT Escape Character                     | 2              | 00 to FF     |
| AT CR Character                         | 3              | 00 to FF     |
| AT LF Character                         | 4              | 00 to FF     |
| AT BS Character                         | 5              | 00 to FF     |
| AT Escape Char. Timer                   | 0C             | 00 to FF     |
| Abort Call Timer                        | 7              | 00 to FF     |
| DTR Recognize Delay (x 2.5ms)           | 19             | 00 to FF     |
| DTR Initiated Command Timeout (seconds) | 28             | 00 to FF     |
| Load Factory Opt.                       |                |              |
| Option Set #1                           | 8A             | 00           |
| Option Set #2                           | 8A             | 01           |
| Option Set #3                           | 8A             | 02           |
| Option Set #4                           | 8A             | 03           |
| Store User Profile                      |                |              |
| Save to Profile 0                       | 91             | 00           |
| Save to Profile 1                       | 91             | 01           |
| Select User Profile                     |                |              |
| Power Up Profile 0                      | 93             | 00           |
| Power Up Profile 1                      | 93             | 01           |
| Network Address Lock                    |                |              |
| Network Addr. Unlock                    | C3             | 00           |
| Network Addr. Lock                      | C3             | 01           |



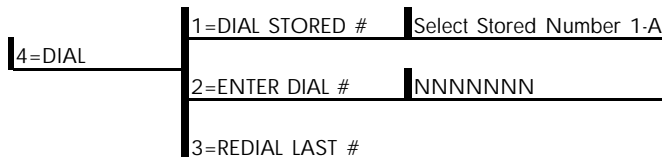
# Chapter 10

## Dial Selection

---

### DIAL OPTIONS

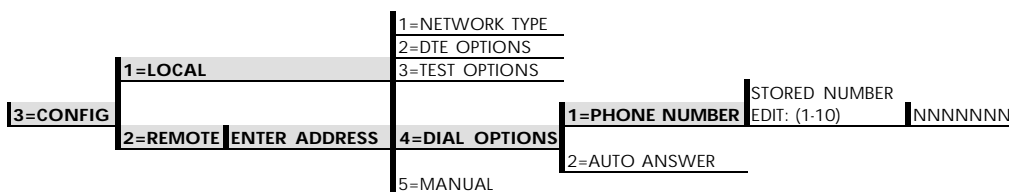
The DIAL selection available in the Main menu (4=Dial) includes options for manual dialing, redialing, and dialing stored numbers. The DIAL selection is available for use only if AT&T/MCI SW56 or US SPRINT SW56 is the selected NETWORK TYPE. Figure 10-1 shows the menu path used to access these options.



**Figure 10-1**  
*Dial Options Menu*

#### **Dial Stored #**

This option allows a stored number to be dialed. The numbers are stored within the CONFIG selection. Figure 10-2 shows the menu path used to access the Phone Numbers option.



**Figure 10-2**  
*Path to Storing Numbers Option*

See the chapter *Configuring Dial Options* for more information.

**Enter Dial #**

This option allows you to enter a phone number of up to 36 digits for the DSU III AR to dial.

**Redial Last #**

Selecting this option redials the last phone number entered.

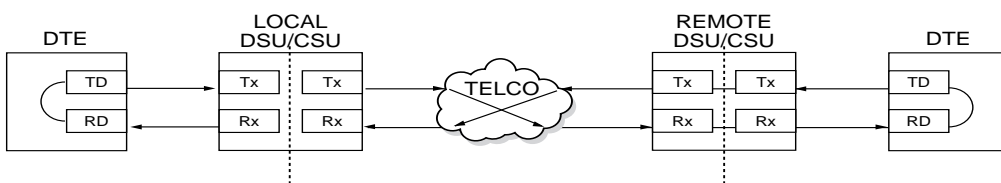
# Chapter 11

## Testing and Troubleshooting

### TEST OVERVIEW

The DSU III AR performs a variety of diagnostic functions that isolate portions of the circuit to identify the problem source. Tests may be initiated and terminated from the front panel or the DTE interface. In asynchronous mode, AT commands can control the testing from the DTE interface. For synchronous operation, V.25 bis commands can provide test control.

The unit also responds to standard DDS network tests initiated from telco test centers. In addition, it can run several tests such as local and remote loopbacks to aid in problem isolation.



**Figure 11-1**

*Normal Operation Before Initiating Loopback Test*



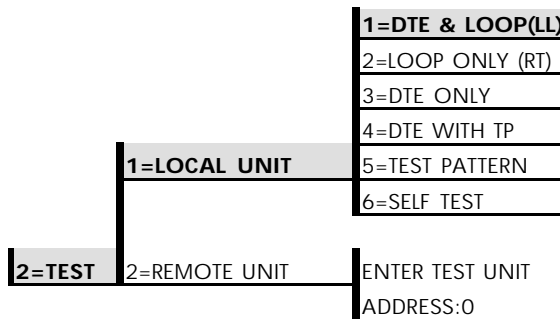
*All diagnostic tests disrupt data flow.*

## Initiating a Test

Initiate tests using the following procedure:

1. Select **Test** from the main menu by pressing **2**, then press **Enter**.
2. Specify local, remote, or AR testing by selecting the corresponding number, followed by **Enter**.
3. Use the **Up** and **Down** Arrows to view test options.
4. Select a test from the available options by pressing the corresponding number, followed by **Enter**.

The example in Figure 11-2 shows the menu path for initiating a local DTE and Loop test.



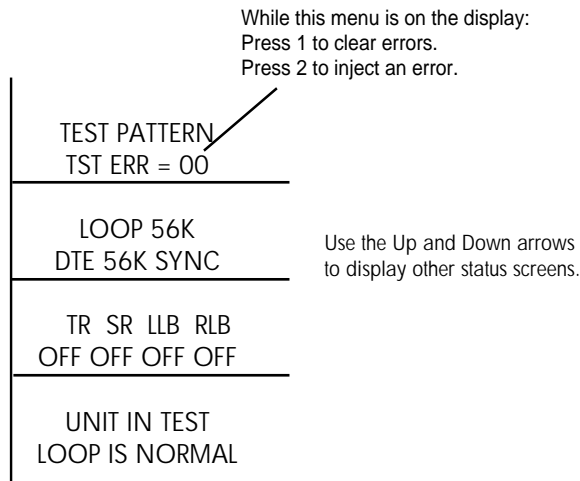
**Figure 11-2**  
*Initiating a Test*

Once a test is initiated **Please Wait** is displayed briefly followed by the status screen.

## Test Status Display

The Test Status display appears automatically during a test. The Test Status display is similar to the status screen described in the chapter *Status Selection*, with additional prompts for the type of test and the number of errors (for tests with a test pattern).

Figure 11-3 shows an example of a Test Status Display for a test with a test pattern.

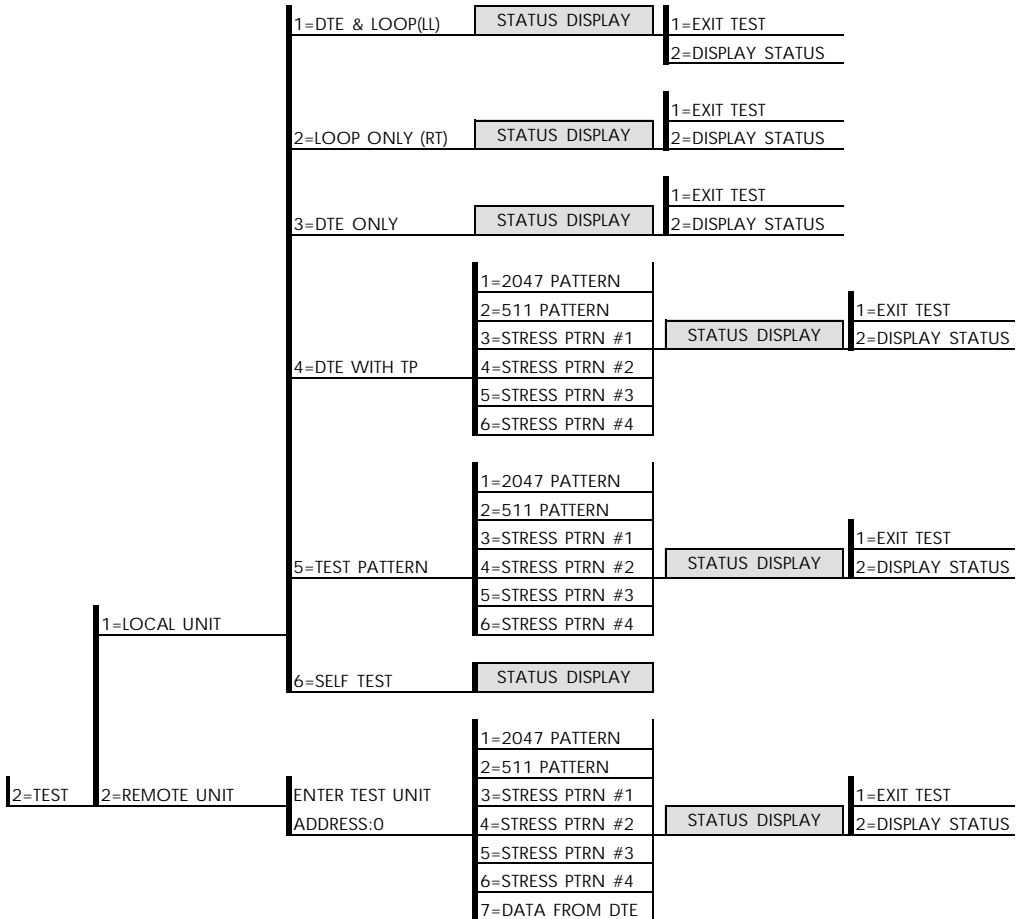


**Figure 11-3**  
*Sample Test Status Displays*

## Exiting a Test

During a test, press **Quick** to access the Exit Test/Display Status menu or press **Cancel** to return to the Main menu. The Exit Test/Display Status menu provides the following options, which are available only after a test has been initiated:

|                |  |
|----------------|--|
| Exit Test      | Exits the current test and returns to the Main menu. |
| Display Status | Reenters test display.                               |



**Figure 11-4**  
*Complete Test Menu*

---

## TROUBLESHOOTING

This section is intended to provide a quick and easy means of diagnosing suspected problems associated with local or remotely attached ADTRAN DSU/CSUs. Two separate troubleshooting sections are provided; one focuses on new installs, the other on existing circuits.

### Messages from the DSU/CSU

The DSU III AR displays messages on the LCD display and LEDs concerning the status of the unit and the local loop. If the Alarm LED is *On*, one or more of the messages shown in Table 11-A is displayed on the LCD.

**NOTE**

*The Status menu must be selected in order for the unit to display status messages. Pressing **Quick** returns to the main menu where **STATUS** can be selected.*

**Table 11-A**  
*Messages from the DSU/CSU*

| <b>Message</b>          | <b>Meaning</b>   | <b>Probable Cause</b>   | <b>Action</b>   |
|-------------------------|--|---|---|
| <b>LOOP IS NORMAL</b>   | Good local loop signal being received from the telco.                    | Indicates good local loop.  | No action required; unit properly connected to telco circuit.                                     |
| <b>OPEN LOOP</b>        | Unit not receiving a signal from the telco.                              | Bad telco cable from the DSU to telco jack or bad circuit to telco.                     | Replace telco cable from DSU to wall jack. If a problem persists, contact telco provider.         |
| <b>NO RX SIGNAL</b>     | Unit detects sealing current but no data signal from telco.              | Bad conductor in telco cable from DSU to telco jack or bad circuit to telco.            | Replace telco cable from DSU to wall jack. If a problem persists, contact telco provider.         |
| <b>OOS/OOF FROM NET</b> | Unit detects an Out of Service or Out of Frame condition from the telco. | Telco is having problems with DDS circuit or remote unit is turned off or disconnected. | Check remote unit. Contact telco service provider. If a problem persists, contact telco provider. |
| <b>CHECK TELCO LINE</b> | Transmit/receive pair reversal detected.                                 | Telco wall jack wired incorrectly.  | Switch wire pairs in wall jack or contact telco service provider.                                 |
| <b>TEST FROM TELCO</b>  | Telco activated a loopback to test the DDS circuit.                      | Telco is testing circuit.   | Wait until test is complete or contact telco service provider.                                    |

## Troubleshooting New Installs

Before initiating diagnostics on a newly installed unit and/or DDS circuit and before contacting ADTRAN Technical Support, please check the items in Table 11-B to ensure the unit is configured properly.

After verifying the items listed in Table 11-B the unit should operate properly and display the following:

**DATA MODE  
LOOP IS NORMAL**

If a status message other than **DATA MODE LOOP IS NORMAL** is shown, begin performing diagnostics described in the section *Test Sequence for Troubleshooting New Installs or Existing Circuits*.

**Table 11-B**  
*Troubleshooting New Installs*

| <b>Configuration Item to Check</b>     | <b>Option Selection</b> | <b>Action</b>  |
|--|-------------------------|--|
| <b>DTE Type</b>                        | RS-232 or V.35          | Select the type of DTE interface option to connect to the DSU/CSU from the configuration menu. |
| <b>Loop Rate</b>                       | Auto, 2.4 to 64 kbps    | Select the DDS loop rate of the DDS circuit from the configuration menu.                       |
| <b>Data Format</b>                     | Async or Sync           | Select the type of data to be used from the configuration menu.                                |
| <b>DTE Cable</b>                       | N/A                     | Verify DTE cable connection to the proper DTE connector on the DSU/CSU.                        |
| <b>Telco Cable</b>                     | N/A                     | Verify the telco cable is securely connected to the DSU/CSU and wall jack.                     |
| <b>Power the unit Off and then On.</b> | N/A                     | Verify the unit passes self test during power-up (displayed on the LCD).                       |

### Test Sequence for Troubleshooting New Installs or Existing Circuits

| If your DSU ....   | Do this...   |
|--|--|
| is suspected of having mine problems   | Perform a <b>Self Test</b> to determine the unit is in good health.  |
| is receiving excessive errors requiring retransmission to determine if the unit's internal of data | Perform a <b>DTE with Test Pattern</b> to determine if the unit's internal transmitter and receiver is operating error free.                       |
| is receiving excessive errors requiring the retransmission of data                                 | Perform a <b>Remote Test</b> to verify the connection between local and remote unit is error free. Run the test using all available test patterns. |



*If an external BERT tester is available these additional tests may be performed:*

- DTE & Loop Test
- DTE Only Test
- Loop Only Test

If the unit fails any of these tests or the problem has not been determined, contact ADTRAN Technical Support; see inside back cover.

## LOCAL UNIT DIAGNOSTICS

The local DSU III AR can perform six different tests; see Table 11-C.

**Table 11-C**  
*Test AT Commands*

| Front Panel Display  | AT Command | Description                             |
|--|------------|---|
| DTE & Loop (LL)  | &T10       | TD/RD and RX/TX Loopbacks               |
| Loop Only (RT)   | &T11       | RX/TX Loopback at Network Interface     |
| DTE Only   | &T1        | TX/RX Loopback at DTE Interface         |
| DTE with TP  | &T8        | RX/RX Loopback with Test Pattern        |
| Test Pattern   | &T9        | Transmit/Receive Test Pattern           |
| Self Test  | Z          | Check Internal Components (Resets Unit) |
| Exit Test  | &T0        | Stops test, returns to data mode        |
| TD = Customer Transmit Data<br>RD = Customer Receive Data<br>TX = Network Transmit Data<br>RX = Network Receive Data |            |   |

The test patterns shown in Table 11-D are available for the DTE with Test Pattern and Test Pattern tests.

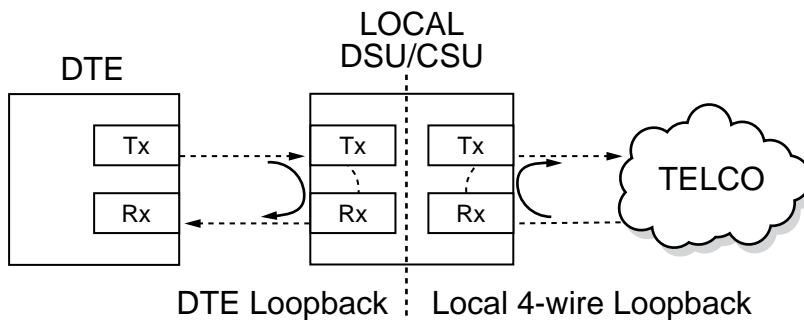
**Table 11-D**  
*DTE With Test Pattern Commands*

| <b>Front Panel</b> | <b>AT Command</b> | <b>Description</b>   |
|--------------------|-------------------|--|
| 1=2047 PATTERN     | _T0&T8            | Standard 2047 random data pattern.   |
| 2=511 PATTERN      | _T1&T8            | Standard 511 random data pattern.  |
| 3=STRESS PTRN #1   | _T2&T8            | Stress pattern with alternating high and low ones densities. Repeated pattern of 100 octets: 1111 1111; followed by 100 octets: 0000 0000.   |
| 4=STRESS PTRN #2   | _T3&T8            | Stress pattern with alternating medium and low ones densities. Repeated pattern of 100 octets: 0111 1110; followed by 100 octets: 0000 0000. |
| 5=STRESS PTRN #3   | _T4&T8            | Stress pattern with medium ones density. Continuous series of octets: 0011 0010.   |
| 6=STRESS PTRN #4   | _T5&T8            | Stress pattern with low ones density. Continuous series of octets: 0100 0000.  |

## DTE & Loop (LL)

### Test Description

The DTE & Loop test splits the DSU III AR into two separate DTE and loop interface sections and then loops the receive data of each interface back to its respective transmit data. The DTE & Loop test provides a bidirectional loopback at the DSU/CSU. Figure 11-5 illustrates the loopback points and the signal paths for this test.



**Figure 11-5**  
*DTE & Loop Test*

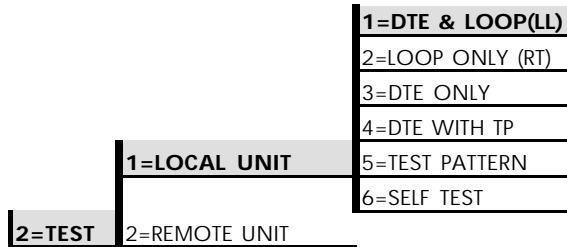
### Test Purpose

The DTE & Loop test is used for the following purposes:

- Verify integrity of the DTE interface and cable.
- Provide a loopback for network tests.

## Initiating

Follow the menu path outlined in Figure 11-6 to initiate a DTE & Loop Test.



**Figure 11-6**  
*Initiating a DTE & Loop Test*

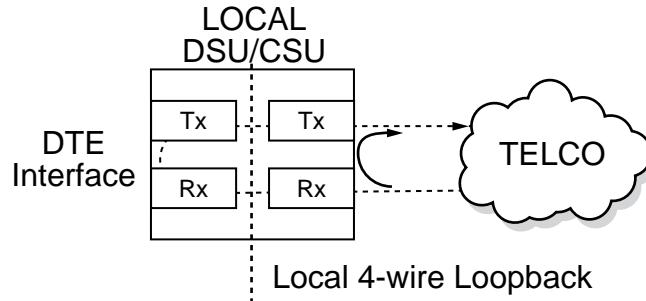
## Interpreting Test Results

A BERT tester must be used to interpret the test results of a DTE & Loop test.

## Loop Only (RT)

The Loop Only (RT) test allows the loop interface and a major portion of the DTE interface for the local DSU III AR to be tested from the remote site over the actual communication circuit.

Figure 11-7 illustrates the loopback point and the signal paths for this test.



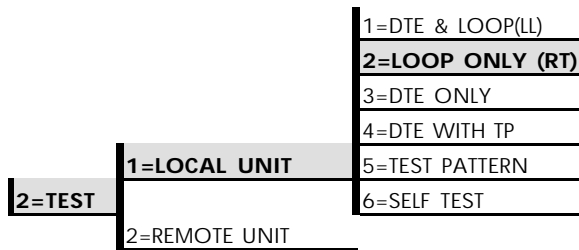
**Figure 11-7**  
*Loop Only Test*

### Test Purpose

The Loop Only test is used to provide a loopback for network tests.

### Initiating

Follow the menu path outlined in Figure 11-8 to initiate a Loop Only test.



**Figure 11-8**  
*Initiating a Loop Only Test*

### Interpreting Test Results

The Loop Only test is used for the purpose of looping the DDS circuit back to the telco. No test results are available from the local DSU III AR.

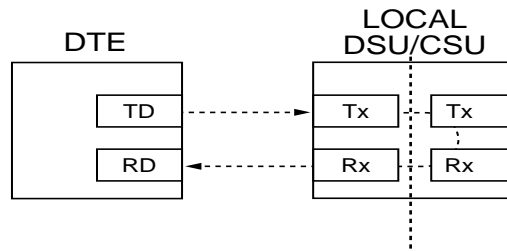
## DTE Only

The DTE Only test provides a method for testing both the DTE interface drivers and receivers of the local DSU III AR plus its loop transmitter and receiver. For this test, the loop transmit data is connected to the loop receive data at a point close to the physical network interface. This test can be used to verify proper operation between the local DTE and the local DSU III AR.



### NOTE

*When this test is implemented, the far unit receives an OOS/OOF message from the network and enters an alarm state.*



**Figure 11-9**  
*DTE Only Test Diagram*

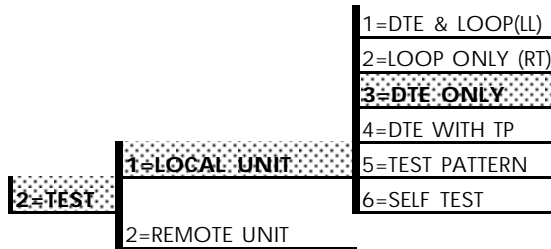
### Test Purpose

The DTE Only test is used for the following purposes:

- Verify integrity of the DTE interface.
- Verify integrity of connection between DTE and DSU III AR.

## Initiating

Follow the menu path outlined in Figure 11-10 to initiate a DTE Only test.



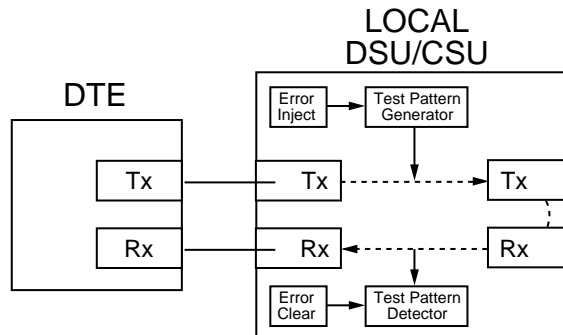
**Figure 11-10**  
*Initiating a DTE Only Test*

## Interpreting Test Results

A BERT tester must be used to interpret the test results of a DTE Only test.

## DTE With Test Pattern

The DTE with TP (test pattern) test is similar to the DTE Only test described previously except the test pattern is generated using the DSU/CSU internal test pattern generator. This test can be used to detect deficiencies within the internal drivers and receivers of the DSU III AR. Figure 11-11 illustrates the loopback point and the data paths for this test.



**Figure 11-11**  
*DTE with Test Pattern*

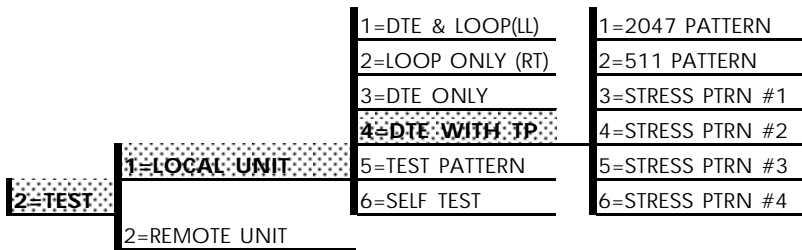
### Test Purpose

A DTE test using a test pattern is used for the following purposes:

- Verify integrity of the DTE interface.
- Verify integrity of connection between DTE and DSU III AR.

### Initiating

Follow the menu path outlined in Figure 11-12 to initiate a DTE Test using a Test Pattern.



**Figure 11-12**  
*Initiating a DTE Test with Test Pattern*

### Interpreting Test Results

If the unit is functioning properly, the DSU III AR displays:

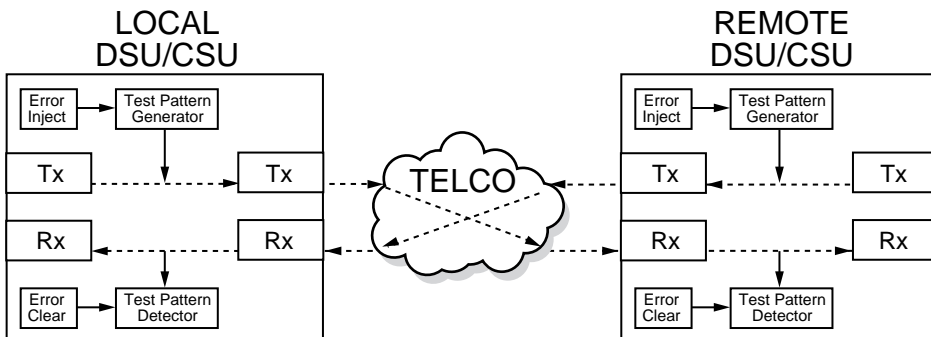
**DTE WITH TP**  
**TST ERR=XX**

The first line of the display indicates the type of test being performed while the second line of the display indicates the number of errors accumulated by the test pattern detector.

If errors occur during this test, the test error count can be reset to zero by pressing 1. To verify proper operation of this test, single bit errors can be injected into the transmitted test pattern by pressing 2. These errors appear on the TEST ERR display.

## Test Pattern

The Test Pattern option converts the local DSU III AR into a BERT tester for the purpose of testing the DDS circuit. When this test is used, the remote DSU/CSU must be in loopback or transmitting a test pattern. Figure 11-13 illustrates the data paths for this mode.



**Figure 11-13**  
*Test Pattern Only*

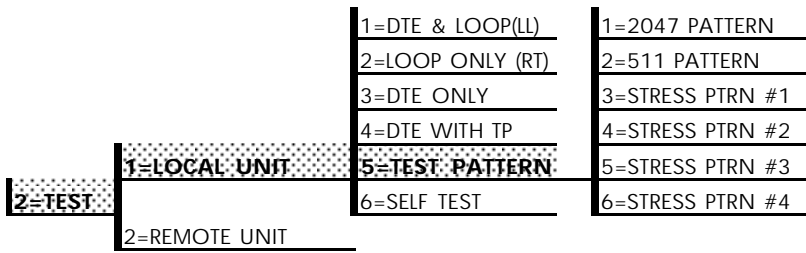
### Test Purpose

Testing using a test pattern is used for the following purposes:

- Transmits user selected test pattern using an internal test pattern generator, and compares the received data using internal test pattern detector to detect if there are any errors on the DDS circuit
- Injects errors and verifies the unit transmits data across the communication circuit to the remote unit.
- Helps determine from which direction the circuit is receiving errors.

### Initiating

Follow the menu path outlined in Figure 11-14 to initiate a test using a test pattern.



**Figure 11-14**  
*Initiating a Test Using a Test Pattern*

### Interpreting Test Results

If the unit is functioning properly, the display should show the following:

**TST ERR = 00**

## Self Test

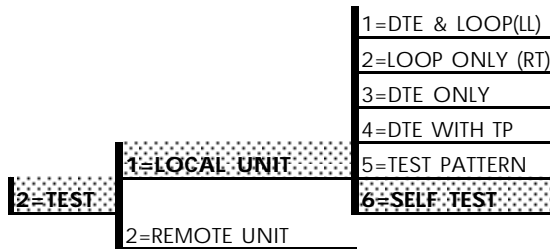
The Self Test verifies current operation of the DSU III AR. It can be performed at any time and is recommended if there is any question about the DSU's health.

### Test Purpose

To determine if the DSU is functioning properly.

### Initiating

Follow the menu path outlined in Figure 11-15 to initiate a test using a test pattern.



**Figure 11-15**  
*Initiating a Self Test*

### Interpreting Test Results

Once Self Test is activated, the LEDs cycle on and off as the system runs the self test. A pass or fail status will be displayed on the LCD along with a checksum indicating the current firmware revision.

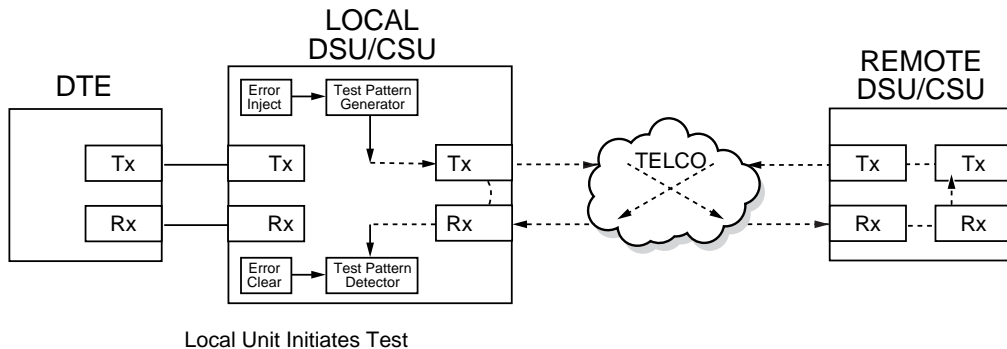
## REMOTE UNIT DIAGNOSTICS

A remote DSU III AR can perform seven different tests; see Table 11-E.

**Table 11-E**  
*Remote Tests and AT Commands*

| Front Panel      | AT Command | Description                       |
|------------------|------------|-----------------------------------|
| 1=2047 PATTERN   | _T0&T7     | Standard 2047 random data pattern |
| 2=511 PATTERN    | _T1&T7     | Standard 511 random data pattern  |
| 3=STRESS PTRN #1 | _T2&T7     | DDS Stress Pattern #1             |
| 4=STRESS PTRN #2 | _T3&T7     | DDS Stress Pattern #2             |
| 5=STRESS PTRN #3 | _T4&T7     | DDS Stress Pattern #3             |
| 6=STRESS PTRN #4 | _T5&T7     | DDS Stress Pattern #4             |
| 7=DATA FROM DTE  | &T6        | Data from DTE                     |

The Remote Unit submenu allows a remotely installed DSU to be placed into loopback. There are six test patterns to choose from or Data from the DTE may be selected.



**Figure 11-16**  
*V.54 RDL with Test Pattern*

### Test Purpose

Test the local DSU, the DDS circuit, and remote DSU.

## Initiating

Follow the menu path outlined in Figure 11-17 to place a remote DSU III AR into loopback.



**Figure 11-17**  
*Initiating a Remote Test*

After selecting Remote Unit from the menu, the following prompt is displayed for entering the address for the remote unit:

**ENTER TEST UNIT**  
**ADDRESS:XX**

Use the number keys to type the address of the remote DSU, then press **Enter**. The test pattern selections are displayed. After a test pattern is selected, the system briefly displays **Please Wait**.

## Test Results

If the test is successful the status menu is displayed. If not, **Unable to Execute Test** is displayed.

## Interpreting Test Results

If the unit is functioning properly, the display should show:  
**TST ERR = 00.**



# Chapter 12

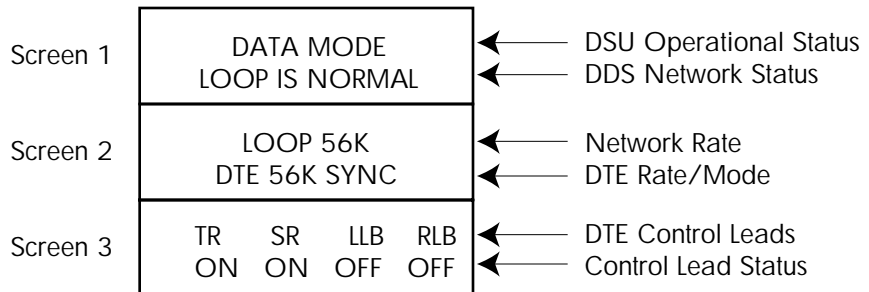
## Status Selection

---

### STATUS DISPLAY

The STATUS selection displays two lines at a time of the current operational status of the network and the DTE interfaces.

After 30 seconds of no front panel operation, the DSU III AR automatically reverts to the status display. Examples of possible status displays are shown in Figure 12-1.



**Figure 12-1**  
*Examples of Status Displays*

## DSU Operational Status

Possible messages include:

### **DATA MODE**

The unit is ready to pass data if network status is normal.

### **UNIT IN TEST**

The unit is in test. Scroll to next status menu for test type.

### **DTE COMMAND MODE**

The unit is in command mode from the DTE (AT or V.25 bis).

In SW56 mode the following messages are possible:

### **IDLE**

The unit is idle, waiting for a call or a dial command.

### **INCOMING CALL**

The unit has detected an incoming call.

### **DIALING**

The unit is dialing a number.

## DDS Network Status

This line of the display shows the current status of the dedicated network interface. Possible messages include:

### **LOOP IS NORMAL**

The DSU is connected to the dedicated line. No line irregularity detected.

### **OPEN LOOP**

The DDS physical connection has been broken.

### **NO RX SIGNAL**

The DSU III detects sealing current but no receive signal.

**CHECK TELCO LINE**

The DSU III detects a possible reversal in the Rx and Tx pairs.

**OOS/OOF FROM NET**

The DSU III detects an abnormal condition code from the network.

**NO FRAME SYNC**

The DSU III cannot sync on the signal from the telco (64k or secondary channel mode only).

**TEST FROM TELCO**

The DSU III is in a test initiated from the telco. Scroll to next status menu for test type.

**RATE ADAPTING**

The DSU III is attempting to determine the loop rate provided from the telco.

In SW56 mode the following messages are possible:

**ANSWERING CALL**

The DSU III is answering an incoming call.

**NO WINK FROM CO**

The DSU III did not see a proper signal from the network during dialing.

**CALL DISCONNECT**

The SW56 was terminated.

## **Network Rate**

The message displayed on this line of the Status display screen indicates the rate of the service configured for the network.

## **DTE Rate/Mode**

The message displayed on this line of the Status display screen indicates the DTE data rate and format.

## **DTE Control Leads and Status**

Four additional DTE interface leads are displayed with their current status (on or off) displayed below them. The leads are identified as follows:

TR - Data terminal ready  
SR - Data set ready  
LLB - Local loopback  
RLB - Remote loopback

# Appendix A

## AT Commands

Table A-A shows the AT commands available for the DSU III AR.

**Table A-A**  
*AT Commands*

| Command | Title                      | Default |
|---------|----------------------------|---------|
| A/      | Re-execute Command         | none    |
| ATA     | Answer                     | none    |
| ATDn    | Dial Number                | none    |
| ATE     | Echo Command               | 1       |
| ATH     | Hang Up Call               | none    |
| ATO     | Go Online                  | none    |
| ATQn    | Result Code Display        | 0       |
| ATSn?   | Read S-Register            | none    |
| ATSn=x  | Write to S-Register        | none    |
| ATVn    | Result Code From           | 1       |
| ATZ     | Reset                      | none    |
| AT&Cn   | DCD Option                 | 0       |
| AT&Dn   | DTR Option                 | 0       |
| AT&Fn   | Restore Factory Options    | none    |
| AT&Kn   | Flow Control               | none    |
| AT&Ln   | Network Type               | 0       |
| AT&Qn   | DTE Data Format            | 0       |
| AT&Rn   | CS Options                 | 0       |
| AT&Sn   | SR Options                 | 0       |
| AT&Tn   | Test Commands              | 0       |
| AT&V    | View Current Configuration | none    |
| AT&Wn   | Store User Profile         | 0       |

**Table A-A (Cont'd)**  
*AT Commands*

| <b>Command</b> | <b>Title</b>                  | <b>Default</b> |
|----------------|-------------------------------|----------------|
| AT&Xn          | Transmit Clock                | 0              |
| AT&Yn          | Power Up User Profile         | 0              |
| AT&Zn=x        | Store Phone Number            | none           |
| AT%Bn          | Loop Rate Select              | 0              |
| AT%Kn          | DTE Rate Select               |                |
| AT%P           | Password Control              | 0              |
| AT%P=x         | Password Entry                | 0              |
| T%P>x          | Password Verify               | 0              |
| AT%R           | Initiate Remote Config.       |                |
| AT%Tn          | Anti-stream Option            | 0              |
| AT_An          | LLB Control                   | 0              |
| AT_Cn          | SR Control During Test        | 0              |
| AT_Dn          | RTS-CTS Delay                 | 0              |
| AT_Fn          | Scrambler Control             | 0              |
| AT_Jn          | Auto Answer Enable/Disable    | 0              |
| AT_N=xx        | Set Network Address           | none           |
| AT_Pn          | Front Panel Enable/Disable    | 0              |
| AT_Rn          | LB Enable/Disable             | 0              |
| AT_S=xx        | Set Serial Number             | none           |
| AT_Tn          | Select Test Pattern           | 0              |
| AT_Xn          | Clock Source Select           | 0              |
| AT_Yn          | Secondary Channel Rate Select | 0              |

# Appendix B

## Default Configuration Profiles

---

### DEFAULT CONFIGURATION PROFILES

The DSU III AR contains four different user profiles (sets of configurations options) stored in read only memory (see Table B-A). The unit is shipped from the factory with profile 1 loaded into the nonvolatile configuration memory. See the chapters *Installation* and *Manual Command* for more information.

#### **Profile 1**

Profile 1 is configured for a 56 kbps, synchronous, point-to-point or dial up operation with a V.35 connector.

#### **Profile 2**

Use profile 2 for a 56 kbps, synchronous, point-to-point or dial up operation with an EIA-232 connector.

#### **Profile 3**

Use profile 3 for a SW56, asynchronous operation with CS and CD forced on.

#### **Profile 4**

Use profile 4 for a SW56 operation with DTR idle when off.

**Table B-A**  
*Default Configuration Profiles*

|                              | Profile Numbers |              |               |               |
|------------------------------|-----------------|--------------|---------------|---------------|
|                              | (00) 1          | (01) 2       | (02) 3        | (03) 4        |
| <b>Manual Command</b>        |                 |              |               |               |
| Escape Character             | 43=2BH          | 43=2BH       | 43=2BH        | 43=2BH        |
| CR Character                 | 13=ODH          | 13=ODH       | 13=ODH        | 13=ODH        |
| LF Character                 | 10=0AH          | 10=0AH       | 10=0AH        | 10=0AH        |
| BS Character                 | 8               | 8            | 8             | 8             |
| SW56 Abort Call Timer        | 50=32H          | 50=32H       | 50=32H        | 50=32H        |
| Escape Guard Timer           | 50=32H          | 50=32H       | 50=32H        | 50=32H        |
| Command Echo                 | Enable          | Enable       | Enable        | Enable        |
| Result Code                  | Enable          | Enable       | Enable        | Enable        |
| Long or Short Code           | Long            | Long         | Long          | Long          |
| Test Pattern Type            | 2047            | 2047         | 2047          | 2047          |
| CS Delay                     | Short           | Short        | Short         | Short         |
| DTR Recog. Delay (x2.5ms)    | 3               | 3            | 3             | 3             |
| DTR Command Timeout (x1 sec) | 8               | 8            | 8             | 8             |
| Front Panel En/Dis           | Enable          | Enable       | Enable        | Enable        |
| AT Password Control          | Disable         | Disable      | Disable       | Disable       |
| <b>Network Options</b>       |                 |              |               |               |
| Loop Rate                    | AUTO            | AUTO         | 56k           | AUTO          |
| Network Address              | 0               | 0            | 0             | 0             |
| Remote Conf. En/Dis          | Enable          | Enable       | Enable        | Enable        |
| Network Type                 | Dedicated       | Dedicated    | AT&T/MCI SW56 | AT&T/MCI SW56 |
| Clock Source                 | From Network    | From Network | From Network  | From Network  |
| <b>DTE Options</b>           |                 |              |               |               |
| Remote DSU Address           | 0               | 0            | 0             | 0             |
| DTE Rate (56/64k loop)       | Same as Loop    | Same as Loop | Same as Loop  | Same as Loop  |
| Scrambler Mode               | OFF             | OFF          | OFF           | OFF           |
| Connector Type               | V.35            | EIA232       | EIA232        | V.35          |
| DTE Data Format              | SYNC            | SYNC         | ASYN          | SYNC          |
| DTE Command Options          | DIS             | DIS          | DIS           | DIS           |
| Transmit Clock               | Normal          | Normal       | Normal        | Normal        |
| CS Options                   | Follow RS       | Follow RS    | Forced On     | Follow RS     |
| Anti-stream Timer            | Timer Off       | Timer Off    | Timer Off     | Timer Off     |
| CD Options                   | Normal          | Normal       | Forced On     | Normal        |
| TR Options                   | Ignored         | Ignored      | Ignored       | Idle When Off |
| SR Options                   | Off Test+OOS    | Off Test+OOS | Off Test+OOS  | Off Test+OOS  |
| Secondary Channel Rate       | OFF             | OFF          | OFF           | OFF           |

**Table B-A (Cont'd)**  
*Default Configuration Profiles*

|                     | <b>Profile Numbers</b> |               |               |               |
|---------------------|------------------------|---------------|---------------|---------------|
|                     | <b>(00) 1</b>          | <b>(01) 2</b> | <b>(02) 3</b> | <b>(03) 4</b> |
| <b>Test Options</b> |                        |               |               |               |
| Test Timeout        | Off                    | Off           | Off           | Off           |
| RDL En/Dis          | RDL Accepted           | RDL Accepted  | RDL Accepted  | RDL Accepted  |
| EIA Controlled LLB  | Disable                | Disable       | Disable       | Disable       |
| EIA Controlled RLB  | Disable                | Disable       | Disable       | Disable       |
| <b>Dial Options</b> |                        |               |               |               |
| Auto Answer         | Enable                 | Enable        | Enable        | Enable        |



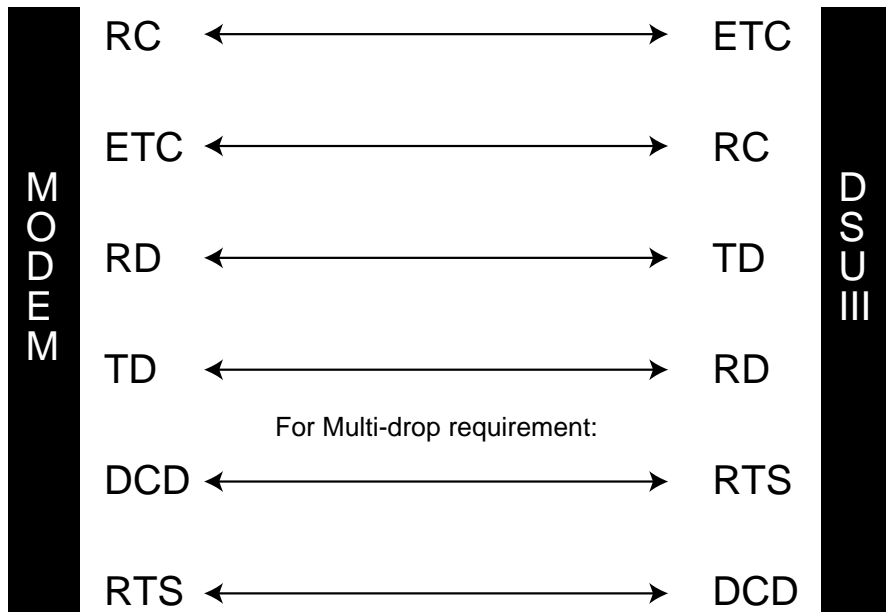
# Appendix C

## DSU to Modem Interconnect

---

### MODEM TAIL CIRCUIT APPLICATION

A DSU to modem interconnect diagram for a modem tail circuit application is shown in Figure C-1.



**Figure C-1**  
*DSU to Modem Interconnect*



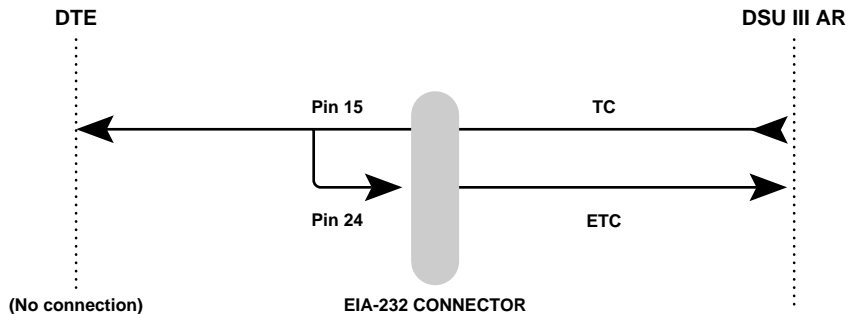
# Appendix D

## EIA-232 Connector

---

### 56 AND 64 KBPS APPLICATION

The EIA-232 connector, shown in Figure D-1, may be used for 56 and 64 kbps applications. Using the External clock option and this cable should eliminate data errors caused by excessive delays in the DTE transmit clock receiver and transmit data driver. When creating this cable at the DTE interface EIA-232 connector, tie transmit clock lead (TC) to external transmit (ETC) as shown.



**Figure D-1**  
*EIA-232 Connector*



# Appendix E

## Specifications Summary

---

### SPECIFICATIONS AND FEATURES

This section describes the standard specifications and features incorporated in the DSU III AR.

#### **Operating Modes**

Dedicated DDS (point-to-point, multipoint)

DDSII DDS with secondary channel (point-to-point, multipoint)

Switched 56 (4-wire)

#### **Data Rates**

Dedicated mode service rate: 2.4, 4.8, 9.6, 19.2, 38.4, 56, and 64 kbps

Switched mode service rate: 56 kbps

#### **DTE Rates**

DTE rates match service rates

DTE-to-loop rate matching in both dedicated and switched modes

Synchronous rates: 2.4, 4.8, 9.6, 19.2, 38.4, 56, and 64 kbps

Asynchronous rates: 2.4, 4.8, 9.6, 19.2, 38.4, and 57.6 kbps

#### **FCC Approval**

FCC part 15, class A and part 68

#### **DTE Interfaces**

Both EIA-232 and V.35 electrical and physical DTE interfaces

### **Data Buffering**

Internal slack buffer

### **Clocking**

Normal DDS or private network tributary  
(slaved to network receive clock)

Private network master (internal clock)

Normal DDS with tail circuit

Private network master (slaved to external clock)

### **Switched Mode Dialing Options**

Stored number

Front panel keypad

DTR dialing of stored number

In-band AT commands

V.25 bis in-band dialing

### **Diagnostics**

Network: CSU and DSU loopbacks

User: Local DTE and loop, remote V.54

Test Patterns: 2047, 511, DDS , stress patterns 1 to 4

### **Line Requirements**

Loop transmission parameters as defined in:

AT&T PUB 62310: Dedicated DDS

AT&T PUB 41468: Switched 56

SPRINT TS 0046: Switched 56

### **Line Interface**

RJ-48S, 4-wire, full duplex

### **Receiver Sensitivity**

-45 dB at all rates

**Environment**

Operating Temperature: 0°C to 50°C (32°F to 122°F)

Storage Temperature: -20°C to 70°C (-4°F to 158°F)

Relative Humidity: Up to 95% non-condensing

Dimensions: 2.25"H, 8.75"W, 10.25"D

Weight: 3 lbs

**Power**

115 VAC, 60 Hz, 8 W

**MTBF**

439754 hours

**CLEI**

DDSUJ602AA



# Glossary

---

## **2047**

A pseudorandom test pattern that is repeated every 2047 bits; used to test DSU/CSUs.

## **511**

A pseudorandom test pattern that is repeated every 511 bits; used to test DSU/CSUs.

## ***4-wire switched 56***

An AT&T proprietary 56/64 kbps switched digital data service offered by telco service providers and delivered to users over 4 copper wires. Compatible with the ADTRAN DSU III S4W and with the DSU III TDM 4-wire Switched 56 TDM option.

## ***asynchronous***

A method of data transmission which allows characters to be sent at irregular intervals by preceding each character with a start bit, followed by a stop bit.

## ***AT commands***

Also known as the Hayes® Standard AT Command Set. A language that enables PC communications software to control asynchronous and Hayes-compatible modems. "AT" is short for attention.

**AWG**

American Wire Gauge. Standard measuring gauge for nonferrous conductors (i.e. non-iron and non-steel). The higher the AWG number, the thinner the wire.

**BERT**

Bit error rate test. A known pattern of bits is transmitted and the errors received are counted to figure the bit error rate. The idea is to measure the quality of data transmission. The bit error rate is the ratio of received bits that are in error, relative to the number of bits received (usually expressed in a power of 10).

**bisync**

Bisynchronous transmission. A half-duplex, character-oriented, synchronous data communications transmission method originated by IBM in 1964.

**carrier detect**

CD. A signal generated by a DCE (a modem or DSU/CSU). CD informs the DTE device if the DCE is receiving a carrier signal from the line. If the CD light is on, the device is speaking to another device.

**channel service unit**

CSU. A DCE device used to connect a digital phone line (T1 or Switched 56 line) coming in from the phone company to either a multiplexer, channel bank, or directly to another device producing a digital signal (for example, a digital PBX, a PC, or data communications device). A CSU performs certain line-conditioning and equalization functions, and responds to loopback commands sent from the central office. A CSU regenerates digital signals, monitors them for problems, and provides a way of testing the digital circuit.

**clocking**

An oscillator-generated signal that provides a timing reference for a transmission link. A clock provides signals used in a transmission system to control the timing of certain functions. The clock has two functions: (1) to generate periodic signals for synchronization, and (2) to provide a time base.

**controller card**

The card installed in slot 1 of an ADTRAN SMART 16 shelf, used to connect a VT 100 terminal or DATAMATE for configuring SMART 16 DSU/CSU products.

***customer premise equipment***

CPE. All telecommunications terminal equipment located on the customer premises, including telephone sets, private branch exchanges (PBXs), data terminals, and customer-owned coin-operated telephones.

***clear to send***

CTS (also called CS). A signal on the DTE interface indicating that the DCE is clear to send data.

***DATAMATE***

An ADTRAN designed and manufactured device that provides a hand-held means of configuring the SMART 16 shelf. The DATAMATE plugs into the front of the controller card and provides a 2x16 LCD display and full numeric keypad.

***data service unit***

DSU. A device designed to transmit and receive digital data on digital transmission facilities.

***dataphone digital service***

DDS (also called Digital Data System). A private line digital service, for transmitting data end-to-end at speeds of 2.4, 4.8, 9.6, and 56 kbps and in some cases 19.2, 38.4, or 64 kbps. The systems can use central hub offices for obtaining test access, bridging legs of multipoint circuits, and cross connecting equipment. DDS is offered on an inter-LATA basis by AT&T and on an intra-LATA basis by the Bell operating companies.

***data set ready***

SR. A signal on the EIA-232 interface that indicates if the communications is connected and ready to start handshaking control signals so communications can begin.

***data terminal equipment***

DTE. In the EIA-232C standard specification, the EIA-232C is connected between the DCE and a DTE. The main difference between the DCE and the DTE is that pins two and three are reversed.

***dB***

Decibel. A unit of measure of signal strength, usually the relation between a transmitted signal and a standard signal source.

***DTE to loop rate matching***

A feature designed into ADTRAN DSU/CSU products that allows slower DTE devices to communicate over 56/64 kbps digital circuits.

***DTR***

Data terminal ready. A control signal sent from the DTE to the DCE that indicates the DTE is powered on and ready to communicate.

***EIA-232***

A set of standards specifying various electrical and mechanical characteristics for interfaces between computers, terminals, and modems. Defines the mechanical and electrical characteristics for connecting DTE and DCE data communications devices. It defines what the interface does, circuit functions, and their corresponding connector pin assignments. The standard applies to both synchronous and asynchronous binary data transmission.

***EIA-366***

An EIA interface standard for autodialing.

***FCC part 15 of class A***

Radiated and conducted emissions standards set for commercial and industrial use.

***FCC part 15 of class B***

Radiated and conducted emissions standards set for residential use.

***FCC part 68***

FCC Rules and regulations intended to provide protection of the telephone network from harm caused by connection of equipment to the network.

***full duplex***

A circuit designed to transmit and receive data simultaneously.

***half duplex***

A circuit designed to both transmit and receive data, but not at the same time.

***in-band***

Signaling (dialing, diagnostics, management, configuration, etc.) over the same channel used for data.

***ISDN***

Integrated Services Digital Network. A network architecture that enables end-to-end digital connections. The network supports diverse services through integrated access arrangements and defines a limited set of standard, multipurpose interfaces for equipment vendors, network providers, and customers. Interworking with a public switched telephone network is retained.

***LATA***

Local Access and Transport Area. One of 161 local geographical areas in the US within which a local telephone company may offer telecommunications services - local or long distance.

***local DTE and loop test***

A test initiated by the user that loops the DSU to the central office and back. This is used to test the local DSU's DTE and local loop.

***multi-point***

A communications arrangement in which multiple devices share a common transmission channel, although only one may transmit at a time. Also referred to as multi-drop.

***nonvolatile memory***

Memory that is not lost when the power is shut off.

***out-of-band***

Signaling that is separated from the channel carrying information (voice, data, video, etc.). Typically the separation is accomplished by a filter. The signaling includes dialing and other supervisory signals.

***parity bit***

A binary bit appended to an array of bits to make the sum of all the bits always odd or always even.

*point-to-point*

A private circuit, conversation, or teleconference in which there is one person at each end, usually connected by some dedicated transmission modem.

*read only memory*

ROM. A memory device which is programmed at the factory and whose contents thereafter cannot be altered.

*remote digital loopback*

RDL

*remote configuration*

A feature designed into ADTRAN DSU/CSU products that allows a remote DSU/CSU to be configured from a local DSU/CSU or VT 100 compatible terminal.

*scrambler*

A device that transposes or inverts signals, or otherwise encodes a message at the transmitter, to make it unintelligible at a receiver not equipped with an appropriately set descrambling device.

*synchronous data link control*

SDLC. A bit-oriented synchronous communications protocol developed by IBM where the message may contain any collection or sequence of bits without being mistaken for a control character.

*service*

The provision of telecommunications to customers by a common carrier, administration, or private operating agency using voice, data, and/or video technologies.

*simple network management protocol*

SNMP. A control and reporting scheme widely used to manage devices from different vendors. SNMP operates on top of the Internet protocol.

*start bit*

In asynchronous data communications, characters are sent at arbitrary intervals. In order for the computer to make sense of what is coming in, each character starts its transmission with a start bit. This way if the first bit of the character to be transmitted is a 0, the fact of receiving a start bit (always a 1) tips off the

computer that the next bit is part of a transmitted character and not just part of the inter-character gap. See stop bit.

***stop bit***

The stop bit is an interval at the end of each asynchronous character that allows the receiving computer to pause before the start of the next character. The stop bit is always a 0. See start bit.

***switched***

In regard to DSU/CSUs, the ability to perform the functions of establishing and releasing connections on a per call basis between two or more circuits, services, or communications systems. The DSU III S2W and DSU III S4W are examples of *Switched 56 DSU/CSUs*.

***synchronous***

Communications in which the timing is achieved by sharing a single clock. Each end of the transmission synchronizes itself with the use of clocks and information sent along with the transmitted data.

***tail circuit***

A feeder circuit, which may be digital or analog, that provides an access line to a digital or analog network.

***UL***

Underwriters Laboratories. A laboratory established by the National Board of Fire Underwriters that tests equipment, materials, and systems that may affect insurance risks, with special reference to fire dangers and other hazards to life.

***V.25 bis***

Automatic calling and answering command set including the ability to work with async, bisync, and HDLC devices. Provides a small subset of the functions of the Hayes Standard AT Command Set.

***V.35***

CCITT standard for trunk interface between a network access device and a packet network that defines signaling for data rates greater than 19.2 kbps.

***VT 100***

A non-intelligent terminal or terminal emulation mode used for asynchronous communications. Used to configure the ADTRAN SMART 16 Shelf.



# Index

---

## A

- alarm indication 24
- answer
  - AT command 97
  - call 94
- answering call 95
- anti-stream 50
  - AT command 50, 98
  - factory default 50
  - time 100
- AT commands 11, 69, 77, 97–98
  - answer 97
  - anti-stream 50
  - auto answer enable/disable 98
  - clear to send (CS) 49, 97
  - clock source 37
  - clock source select 98
  - data format 44
  - data set ready (SR) 54, 97
    - control during test 98
  - data terminal ready (DTR) option 97
  - data terminal ready (TR) 52
  - dial number 97
  - DTE
    - data format 97
    - rate 40, 98
  - echo command 97
  - EIA local loopback (LLB) 59
  - EIA remote loopback (RLB) 60
  - flow control 97
  - front panel 98
  - go online 97
  - hang up 97
  - initiate remote configuration 98
  - LLB control 98
  - loop rate select 98
  - network address 98
  - network type 97
  - password
    - control 98
    - entry 98
    - verify 98
  - phone number 62
  - power up user profile 98
  - re-execute command 97
  - reset 97
  - restore factory options 97
  - result code display 97
  - result code from 97
  - RTS-CTS delay 98
  - S register
    - read 97
    - write to 97
  - scrambler control 98
  - scrambler on/off 41
  - secondary rate 56
  - serial number 98

- test commands 97
- test pattern 98
- test timeout 58
- transmit clock 46, 98
- user profile 97
- view current configuration 97

- AT password control 100
- auto answer enable/disable
  - AT command 98
- auxiliary EIA-232 25

## **B**

- back space character 100

## **C**

- call disconnect 95
- cancel 21, 24
- carriage return character 100
- carrier detect (CD) 24, 51, 100
- check telco line 95
- clear to send (CS) 24, 48–49, 100
  - AT command 97
  - AT commands 49
- clock source 37
  - AT command 98
- clocking 108
- command echo 100
- configuration 10
  - dial backup 61–62
  - DTE options 39
  - local 27
  - network options 31
  - remote 27
  - test options 57–60
- configuration (CONFIG) 20
- configuration local (CNL) 14
- configuration menu 29
- configuration remote (CNR) 15
- connector

- EIA-232 105
- connector type 43
  - factory default 43
- customer service 4, 5

## **D**

- data buffering 108
- data format 44
  - AT commands 44
  - factory default 44
- data invert option 42
- data mode 94
- data rates 107
- data set ready (SR) 96
  - AT commands 54
  - factory default 54
- data set ready (SR) control during test
  - AT command 98
- data terminal ready 96
- data terminal ready (TR)
  - AT commands 52
  - factory default 52
- DBU connection 92
- DDS network status 94
- default configuration profiles 99–101
- Diagnostics 108
- dial 20
- dial backup
  - configuration 61–62
- dial number
  - AT command 97
- dial options 27, 67–68
- dial up operation 99
- dialing 94
- dialing options 108
- digital data service (DDS) 1, 37
- down arrow 21, 24
- DSU operational status 94
- DSU to modem interconnect 103
- DTE & loop (LL) 79

DTE command mode 94  
DTE command option 45  
DTE connectors 25  
DTE data connection 8  
DTE data format 100  
    AT command 97  
DTE interface 25, 69  
DTE interface parameters 27  
DTE interfaces 107  
DTE only 83  
DTE options 27  
DTE rate 39, 96, 100  
    AT Commands 40  
    factory default 39  
DTE rate same as the network 39  
DTE rate select  
    AT command 98  
DTE rates 107  
    for 56 kbps loop rate with no second-  
    ary 40  
DTE status 96  
DTR command timeout 100  
DTR option  
    AT command 97  
DTR recognize delay 100

**E**

echo command  
    AT command 97  
EIA local loopback (LLB) 59  
    AT commands 59  
EIA remote loopback (RLB) 60  
    AT commands 60  
EIA-232 connector 105  
    auxiliary 10  
    pin assignments 8, 10  
EIA-232 interface 1  
enter 21, 23  
environment 109

escape character 100  
escape guard timer 100  
exit test 71  
external clock 46, 105

## F

flow control 97  
front panel  
    AT command 98  
    enable/disable 100  
function keys 21

## G

go online  
    AT command 97

## H

hang up  
    AT command 97

## I

incoming call 94  
initiate remote configuration  
    AT command 98  
installation 5–17  
INV 14  
INVBL 14  
INVBM 14  
INVCU 14  
INVPS 14  
INVPV 14

## L

LB enable/disable  
    AT command 98  
LCD window 23  
LED  
    description 24  
line feed character 100

- line interfaces 108
- line requirements 108
- LLB control
  - AT command 98
- local configuration 27
- local loopback 69, 96
- local unit
  - test 77
- long code 100
- loop only (RT) 81
- loop rate 21, 31, 100
  - AT command 98

## M

- main menu 19, 20, 24, 71
- manual command 27, 63–65
- menu structure 19
- menu traversal 21, 22
- modem tail circuit
  - application 103
- modem tail circuit application 46, 103

## N

- network
  - interface connection 7
  - interface parameters 27
- network address 34
  - AT command 98
- network options 21, 27, 31–37
- network rate 96
- network type
  - AT command 97
- no frame sync 95
- no Rx signal 94
- no wink from CO 95
- numeric keypad 23

## O

- OOS/OOF from net 95

- open loop 94
- operating modes 107
- operation 19–25, 69–92

## P

- password control
  - AT command 98
- password entry
  - AT command 98
- password verify
  - AT command 98
- phone number 61
  - AT command 98
  - AT commands 62
- pin assignments
  - auxiliary EIA-232 connector 10
  - line 1 connector 7
  - primary EIA-232 connector 8
  - primary V.35 connector 9
- point-to-point operation 42, 99
- power 109
- power cord 25
- power switch 25
- power up 6
- power up user profile
  - AT command 98
- primary DTE 8
- primary EIA-232 25
- primary V.35 25

## Q

- quick 24

## R

- rate adapting 95
- RDL
  - enable/disable 101
- re-execute command
  - AT command 97

read S register 97  
rear panel 25  
receipt inspection 5  
receive data 24  
receiver sensitivity 108  
remote command 15  
remote configuration 27  
    AT commands 35, 36  
    enable/disable 35, 100  
remote loopback 69, 96  
request to send 24  
reset  
    AT command 97  
restore factory options  
    AT command 97  
result code 100  
result code display 97  
result code from  
    AT command 97  
return material authorization (RMA) 4

## S

S register  
    read 97  
    write 97  
scrambler control  
    AT command 98  
scrambler mode 100  
scrambler on option 42  
scrambler on/off 41  
    AT commands 41  
    factory default 40  
secondary channel 25, 55  
    connection 10  
    rate 100  
    services 25  
secondary rate 55–56  
    AT commands 56  
    factory default 55  
self test 89

serial number  
    AT command 98  
shift 24  
short code 100  
specifications 107  
SR option 100  
SR options  
    AT command 97  
status 20  
store user profile  
    AT command 97  
SW56 abort call timer 100  
synchronous operation 69

## T

telco jack 25  
temperature 109  
test 20  
    DTE only 83  
    loop only 81  
    self 89  
    test pattern 87  
test commands 77  
    AT commands 97  
test from telco 95, 96  
test menu 72  
test mode manual 24  
test options 27  
    configuration 57–60  
test pattern 87  
    AT command 98  
test pattern type 100  
test timeout 57, 101  
    AT commands 58  
TR option 100  
transmit clock 46, 105  
    AT command 46, 98  
    timing source 100  
transmit data 24  
troubleshooting new installs 75

## **U**

- unit dialing options 27
- unit test options 27
- up arrow 21, 24
- user profiles 27

## **V**

- V.25 bis commands 12, 69
  - asynchronous option 13
  - bi-sync option 13
  - SDLC option 12
- V.35 connector 8, 9
  - pin assignments 9
- VALA 14
- view current configuration
  - AT command 97

## **W**

- warranty 4
- write to S register 97

## Product Support Information

### Presales Inquiries and Applications Support

Please contact your local distributor, ADTRAN Applications Engineering, or ADTRAN Sales:

Applications Engineering (800) 615-1176  
Sales (800) 827-0807

### Post-Sale Support

Please contact your local distributor first. If your local distributor cannot help, please contact ADTRAN Technical Support and have the unit serial number available.

Technical Support (888) 4ADTRAN

### Repair and Return

If ADTRAN Technical Support determines that a repair is needed, Technical Support will coordinate with the Return Material Authorization (RMA) department to issue an RMA number. For information regarding equipment currently in house or possible fees associated with repair, contact RMA directly at the following number:

RMA Department (205) 963-8722

Identify the RMA number clearly on the package (below address), and return to the following address:

ADTRAN, Inc.  
RMA Department  
901 Explorer Boulevard  
Huntsville, Alabama 35806

RMA # \_\_\_\_\_