



## FrameSaver™ 1-Slot Unit Installation Instructions Supplement

Document Number 9000-A2-GK42-00

May 1998

---

### Introduction

The FrameSaver™ 9120 unit that you have received has been produced especially for applications such as yours, where the Frame Relay network access is via the T1 Network (NET) interface, the same as in North America. However, your unit requires the Universal power supply, rather than the power supply used in North America. Therefore, the connection and operation procedures listed in the *1-Slot Assembled Access Unit Installation Instructions* (Document No. 9000-A2-GN10) are accurate for your application, but the power supply shown is different.

### Safety Instructions

Please read the EMI warning and Important Safety Instructions that come with this unit, in the *Universal Power Supply (220 Vac) Safety and Regulatory, Warranty and Service Information* (Document No. 9000-A2-GX43).

### Power Cords

Refer to the following table to verify that you have the appropriate power cord for the wall-plug standard in your country.

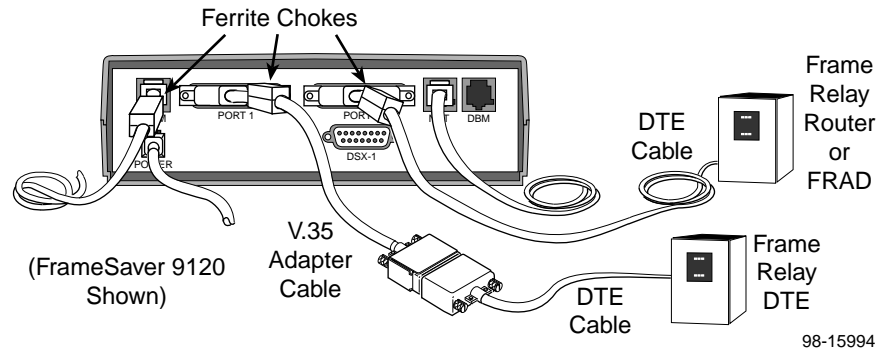
Country	Plug Standard	Part Number	Power Cord Description
Japan	JIS 8303	125-0092-0031	IEC 320-to-JIS 8303 – 2.5 m
Korea	NEMA 5-15P	125-0007-0031	IEC 320-to-NEMA 5-15P – 2.3 m

### Installing the Universal Power Supply

Refer to *Universal Power Supply Installation Instructions* (Document No. 9000-A2-GN21).

## Attaching Ferrite Chokes

Three ferrite chokes are shipped with your FrameSaver 9120 unit. You must attach these ferrite chokes to the COM port and DTE cables as close to the unit as possible (see figure below).



\*9000-A2-GK42-00\*