

## 1-Slot Access Unit Wall Mounting Kit Installation Instructions

Feature Number 9001-F1-891

Document Number 9000-A2-GN11-10

November 1996

---

### Before You Begin

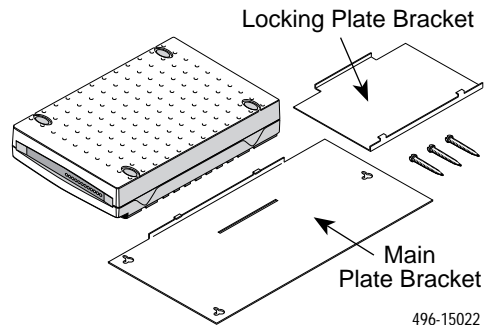
Make sure you have:

- A Phillips screwdriver for installation
- A pencil
- A 1-slot integrated (fully assembled) access unit

### Package Checklist

Verify that your mounting kit contains the following:

- A main plate bracket
- A locking plate bracket
- Three #8 by 1.0" Phillips-head screws



496-15022

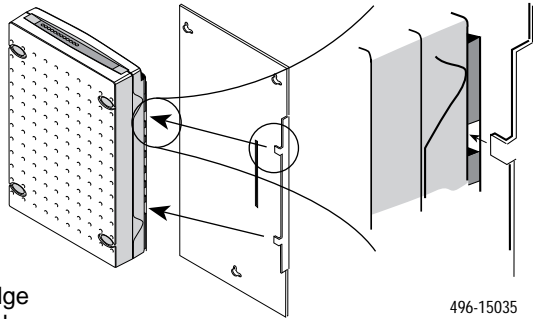
### Selecting a Location and Mounting Orientation

Select a location and orientation for the access unit.

- **Location** – Make sure you are close enough to a 3-prong grounded ac outlet to plug in the power cord and have the transformer rest on the floor against the wall. Make sure the access unit can be connected to other equipment without cables crossing a path where people walk (refer to *Important Safety Instructions* in the user's guide).
- **Orientation** – You can mount the access unit vertically, with the cables hanging below the unit; or, you can mount the access unit horizontally, with the front panel to the left and the cables extending from the right of the unit. The horizontal orientation makes it easy to read the LEDs.

## Installing the Access Unit in Wall Mounting

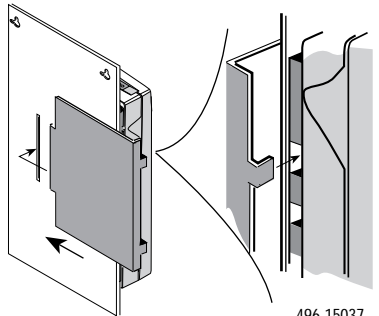
1. Hold the main plate bracket so the lip with two flanges is in your right hand. The edge with two keyhole openings should be up.
2. Hold the access unit with your left hand so the faceplate faces up, and the bottom of the housing faces the main plate bracket.
3. Tilt the access unit so you can see the small slots along the bottom edge of the housing on the right-hand side.



496-15035

4. Slip the two flanges of the main plate bracket into two of the slots on the access unit, and slide them together.
5. Holding the main plate bracket and access unit together in your right hand and the locking plate bracket (flat side down) in your left, tilt the unit so you can see the small slots along the bottom edge on the other side of the housing.

6. Slip the two flanges on the locking plate bracket into two of the slots on the left-hand side of the access unit, and slide them together until the locking plate bracket's long flange slips into the slot on the back of the main plate bracket. (This illustration shows the back of the wall mounting instead of the installer's view for illustrative purposes.)

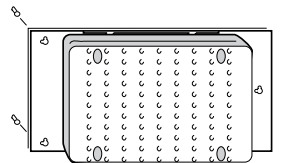


496-15037

The wall mounting and access unit will fit flat against the wall.

## Mounting the Access Unit on the Wall

1. Hold the access unit and mounting brackets together with both hands, orienting them to the mounting screws on the wall.
2. Place the wall mounting's three keyhole openings over the screws so the screws come through the openings.
3. Shift the unit down so the screws slip securely into the keyhole notches.

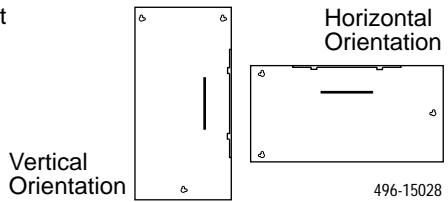


496-15038

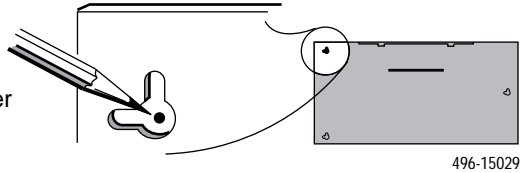
4. Install the power cord/transformer and cables (refer to the *9000 Series Access Unit, 1-Slot Integrated Unit, Installation Instructions, Document Number 9000-A2-GN10*).

# Installing the Main Plate Bracket

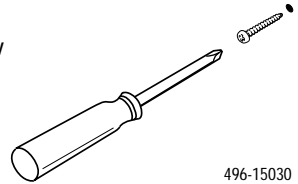
1. Place the flat side of the main plate bracket against the wall at the selected location for the selected orientation.



2. Mark the center of the keyholes with a pencil, then set the bracket aside. Verify that this location is adequate for power cord/transformer and cable connections.

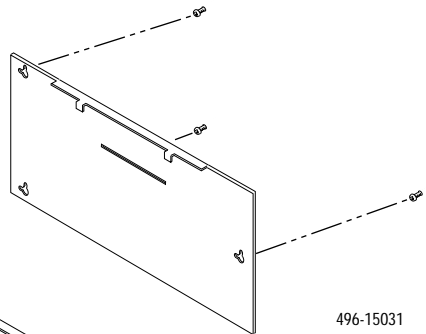


3. Position the first screw at one of the marks, and start screwing it into the wall with a Phillips screwdriver. Screw it in about half way.

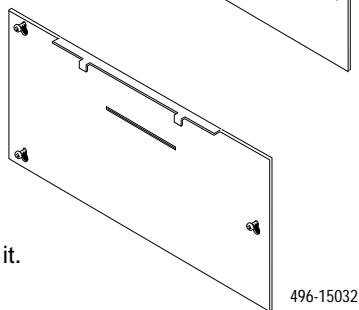


4. Start the other two screws in the same manner.

5. Take the main plate bracket and align its keyhole openings over the three screws. Slip the screws through the keyholes and allow the bracket to drop uniformly into the keyhole notches.



6. Finish screwing in the screws, then back them out about one and a half turns. The main plate bracket should be secure, but easy to remove from the wall.



7. Slip the main plate bracket up and out of the keyholes to remove it.

---

## **Removing the Access Unit from the Wall**

1. Unplug the access unit from the ac outlet.
2. Securely hold the access unit and wall mounting on the sides, then slide the unit up and out of the keyhole openings.