



FrameSaver 9000 Series Access Carrier Baffle Installation Instructions

Document Number 9000-A2-GN1G-00

December 1997

Overview

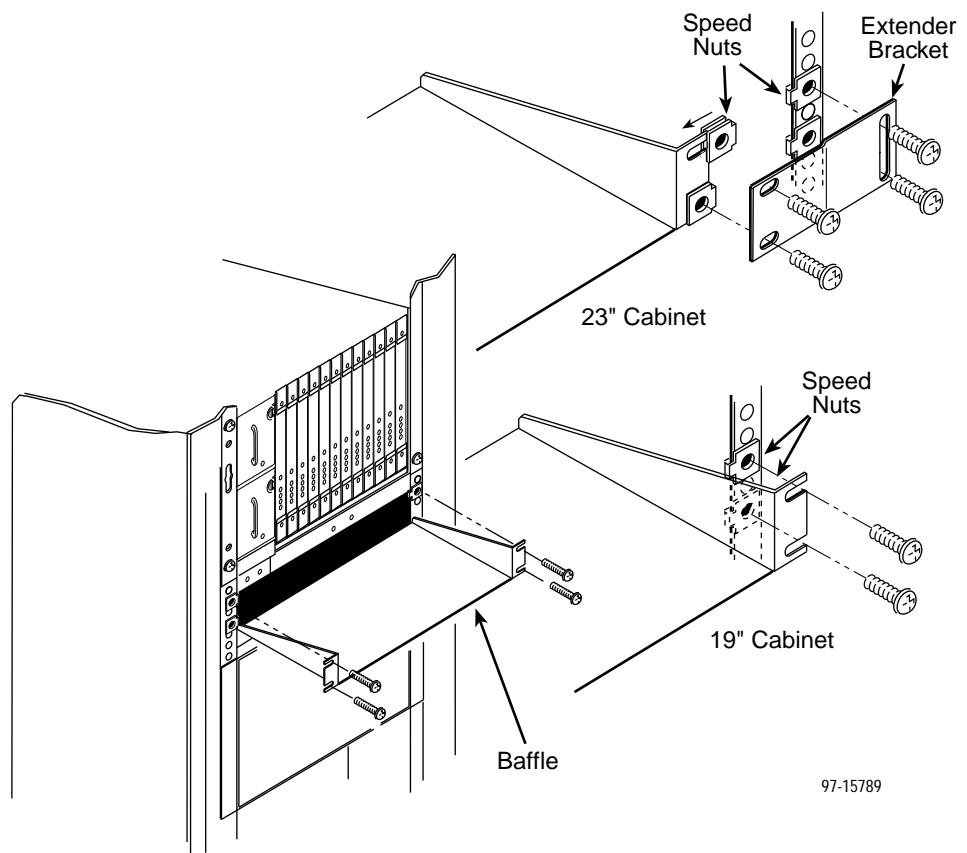
A baffle is provided with your FrameSaver 9000 Series Access Carrier for heat deflection. This package contains a replacement baffle for the access carrier. Extender brackets are also provided to convert the baffle for use in a 23-inch rack.

Turn over the page for the installation procedure.

Installing the Baffle

► Procedure

1. Remove the old baffle, if necessary.
2. If installing the baffle in a 23-inch rack, attach the two extender brackets to each side of the baffle using four of the speed nuts (#12-24) and four of the screws (#12-24 x 1/2") provided.
3. If your rack does not have threaded screwholes, slip a speed nut onto the first available hole on each side of the rack beneath the installed carrier. Align the hole of the speed nuts with the hole in the rails.
4. Using four of the screws provided, attach the baffle to the rack immediately below the carrier as shown.



97-15789



9000-A2-GN1G-00