

## FrameSaver™ SLV 9128 1-Slot Housing-to-9000 Series Access Carrier Upgrade Instructions

Document Number 9128-A2-GN10-00

April 1999

---

This package enables you to upgrade your current 1-slot FrameSaver™ SLV 9128 unit for use in the FrameSaver 9000 Series Access Carrier. You must power off the 1-slot unit before removing the Network Access Module (NAM). Power can remain on when reinstalling the NAM in the access carrier. This upgrade does not affect the unit's configuration; all settings remain intact.

### Package Checklist

Verify that your upgrade package contains the following:

- FrameSaver SLV 9128 NAM I/O card for the access carrier
- FrameSaver SLV Network Access Module (NAM), Installation Instructions* (Document No. 9000-A2-GN1J)

### Before You Begin

Make sure you have:

- A small Phillips screwdriver
- A small, flat-blade screwdriver

### Upgrade Procedure

You will need to refer to the *FrameSaver SLV Network Access Module (NAM), Installation Instructions* to perform the following upgrade procedure.

#### **⚠ HANDLING PRECAUTIONS FOR STATIC-SENSITIVE DEVICES**

**This product is designed to protect sensitive components from damage due to electrostatic discharge (ESD) during normal operation. When performing installation procedures, however, take proper static control precautions to prevent damage to equipment. If you are not sure of the proper static control precautions, contact your nearest sales or service representative.**



496-15104

## Install the I/O Card

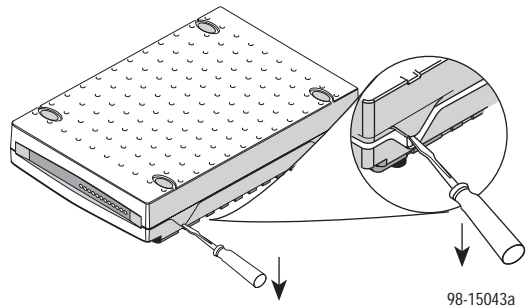
See *Installing the I/O Card* in the Installation Instructions.

## Install the Cables

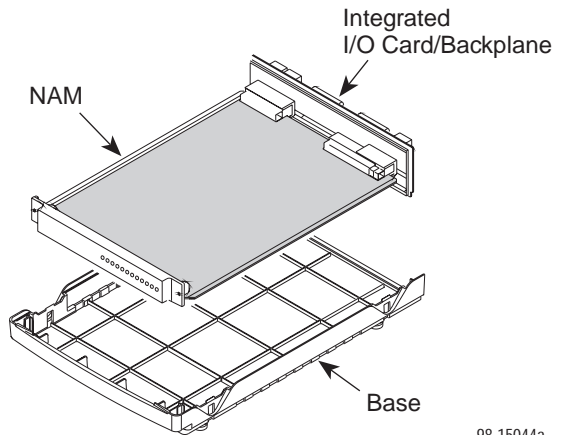
Follow the appropriate instructions in the Installation Instructions for cabling.

## Remove the NAM from the 1-Slot Housing

1. Disconnect the power cord/transformer, first from the power outlet, then from the rear of the FrameSaver unit.
2. Disconnect the other cables.
3. Using a small flat-blade screwdriver, gently pry open the housing at each of the four connecting tab points.



4. Remove the cover and lift the NAM and its integrated I/O card/backplane (rear panel) from the base.
5. Lay the NAM on an electrostatic discharge-protective work surface, component side up, with the card connectors on the left-hand side.



## Install the NAM

See *Installing the NAM into a Multislot Housing* in the Installation Instructions.



\*9128-A2-GN10-00\*